

Stainless steel process gauges

Model ZPS

Nominal size: 100 mm (4"), 115 mm (4.5"), 150 mm (6")

ASME B40.100 / EN 837-1 / IS-3624

Accuracy: Class 1 (1%)

Features

- Rugged stainless steel construction
- Socket and case welded
- Protection IP65, IP66 and IP67
- Usable to full scale
- Overload protection 130 %
- Dry, liquid filled
- Optional contacts
- Optional external Zero Adjustment



Ranges

-30 in. Hg ... 0 psi up to 0 ... 15,000 psi
 -1 ... 0 bar up to 0 ... 1000 bar & kg/cm²
 -100 ... 0 kPa up to 0 ... 100,000 kPa

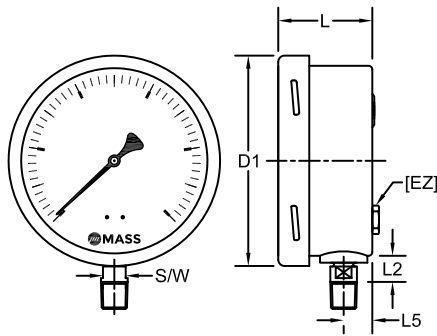
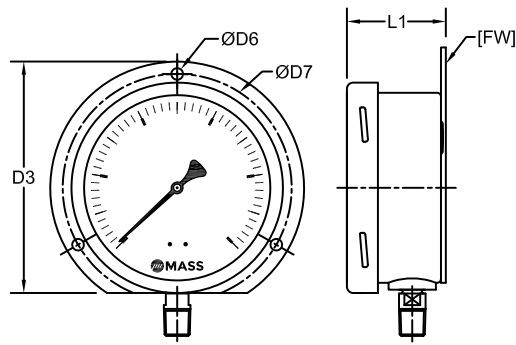
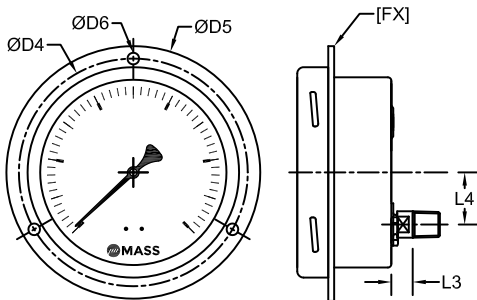
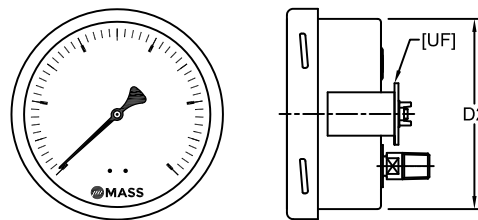
Applications

Chemical & petrochemical industries, refineries

Fertilizer, thermal & nuclear power plants

OEM & machine apparatus

Technical specification	ZPS		
	100	115	150
Dial size in mm	100	115	150
Construction	Open front cylindrical case with snap action bayonet ring with blow out disc		
Measuring principle	Bourdon tube		
Range in kg/cm ² (or bar)	0.6 1 1.6 2.5 4 6 10 16 25 40 60 100 160 250 400 600 1000		
Overpressure limit	-1/0 -1/0.6 -1/1.5 -1/3 -1/5 -1/9 -1/15 -1/24		
Pressure type	130 % F.S., short time.		
Process connection	Gauge, vacuum and compound		
Connection location	1/8" 1/4" 3/8" 1/2" BSP / NPT (M) , M20x1.5 (M)		
Material	Others on request		
Pressure connection	Lower, back		
Tube	Stainless steel 316, optional 316L		
Case/bayonet ring	Stainless steel 316, optional 316L		
Window	Stainless steel 304 , optional 316L		
Dial	Toughened glass, optional Safety Glass, acrylic glass		
Pointer	Aluminum, black markings on white background, others on request		
Movement	Aluminum, black optional micrometer adjustment		
Accuracy	Stainless steel		
Permissible	Class 1 (1 % F.S.)		
Ambient temperature	-40 ... 60 °C (-40 ... 140 °F)		
Medium temperature	Max. 200 °C (392 °F) (dry), max. 100 °C (212 °F) (for liquid filled)		
Storage temperature	-40 ... 65 °C (-40 ... 150 °F)		
Effect	Max. 0,3 % / 10 K		
Protection according	IP65 / IP66 / IP67		
Filling liquids	Glycerin		
Mounting	Standard stem, optional panel, bracket, surface or others on request		
Weight dry/filled in kg	0.51 / 0.86	0.64/0.99	0.88 / 1.78
Accessories, options	NACE, diaphragm seals, valves, dampener, gauge saver, syphon etc		

General dimensions in mm

Lower Connection Direct Mounting

Lower Connection Surface Mounting

Back Connection Front Panel Mounting

Back Connection U-Clamp Mounting

DIAL SIZE	100	115	150
ØD1	109	127	166
ØD2	98.5	114.5	152
D3	122	140	176
D4	118	136	178
D5	132	152	192
D6	6	6	6
D7	118	136	168
L	49	49	49
L1	51.5	51.5	51.5
L2	16	16	16
L3	16	16	16
L4	27	27	27
L5	14.8	14.8	15.5
SW	17	17	17

Order information

Size	Type	System material	Execution	Process Connection	Connection orientation	Range	Engineering units	Filling/case material	Options
(100) 100 mm	ZPS	(S) Socket 316, Tube 316	(L) IP65	(04) 1/2" NPT (M)	(L) Lower	-1/ 0	kg/cm ² (bar)	(=) Standard no filling	(NH) Tagging wired
(115) 115mm			(R) IP66	(03) 3/8" NPT (M)	(B) Back	-1/ 0.6		(GV) Silicone ²⁾	(DA) Dial Marking
(150) 150mm			(N) IP67	(02) 1/4" NPT (M)		-1/ 1.5		(GR) Glycerin ²⁾	(CS) Dual Scale
		(L) Socket and Tube 316L		(01) 1/8" NPT (M)		-1/ 3		(OF) Oil free	
				(15) 1/2" BSP (M)		-1/ 5		(MP) Micrometer pointer	
				(14) 3/8" BSP (M)		-1/ 9		(PD) Acrylic glass	
				(13) 1/4" BSP (M)		-1/ 15		(SG) Safety Glass	
				(12) 1/8" BSP (M)		0/ 0.6		(FX) Front panel	
				(16) M20x1.5 (M)		0/ 1		(FW) Surface plate	
				(KQ) 1/2" BSPT (M)		0/ 1.6		(UF) U-clamp	
				(KR) 3/8" BSPT (M)		0/ 2.5		(TU) Throttle screw	
				(KA) 1/4" BSPT (M)		0/ 4		(EZ) External Zero adjustment	
						0/ 6			
						0/ 10			
						0/ 16			
						0/ 25			
						0/ 40			
						0/ 60			
						0/ 100			
						0/ 160			
						0/ 250			
						0/ 400			
						0/ 600			
						0/ 1000			
							Equivalent ranges in kPa, MPa, psi, bar and others units available		

1) Specify details 2) Not for 0.6 kg/cm²

How to order

Size	Type	System material	Execution	Process connection	Connection orientation	Range	Engineering unit	Filling/Case material	Option
100	ZPS	S	L	04	L	0/16	KG/CM2	=	NH