

Weather proof process gauges

Model WPP

Nominal size 115 mm (4.5")

ASME B40.100

Accuracy: Grade 2A ($\pm 0.5\%$)

Features

- Rugged Thermoplastic case
- Safe with Solid-front case design
- Measuring system stainless steel or Monel
- Protection IP65
- Usable to full scale
- Overload protection 130 %
- Dry, liquid filled

Ranges

-1 ... 0 kg/cm² up to 0 ... 2500 kg/cm²

-30 in. Hg ... 0 psi up to 0 ... 36,000 psi

Applications

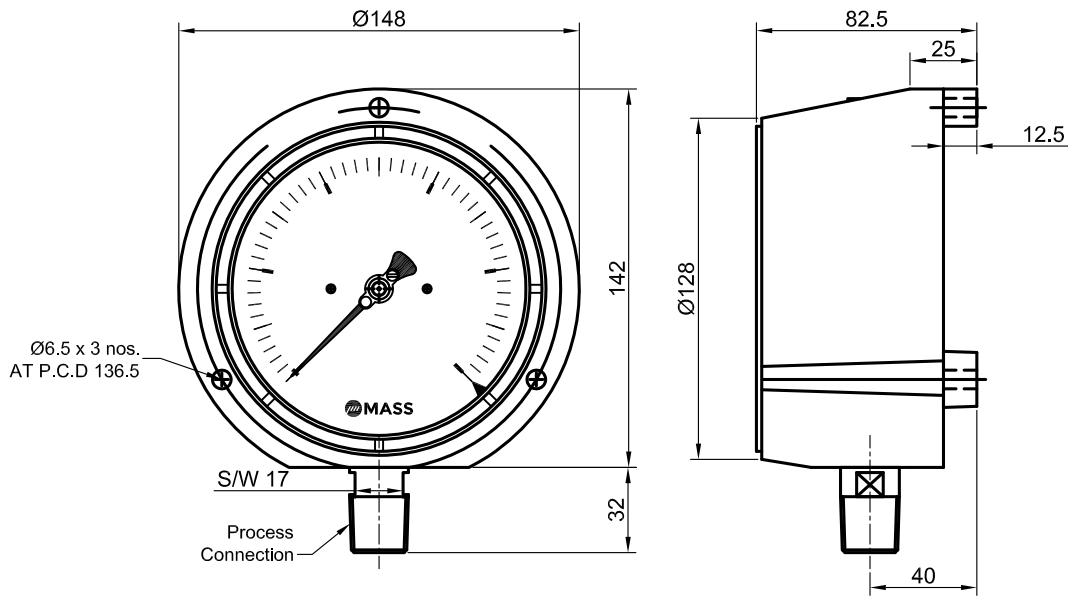
Chemical & petrochemical industries, refineries

Fertilizer, thermal & nuclear power plants

OEM & machine apparatus



Technical specification	WPP
Dial size in inch	4 1/2"
Construction	Solid front with pressure relief back
Measuring principle	Bourdon tube
Range in kg/cm ²	0.6 1 1.6 2.5 4 6 10 16 25 40 60 100 160 250 400 600 1000 1600 2500
Overpressure limit	130 % F.S., short time.
Pressure type	Gauge, vacuum and compound
Process connection	1/4" 3/8" 1/2" BSP / NPT (M) , M20x1.5 (M) Others on request
Connection location	Lower
Material	
Pressure connection	Stainless steel 316, optional 316L, Monel
Tube	Stainless steel 316, optional 316L, Monel, Ni Span
Case/bayonet ring	Thermoplastic
Window	Instrument glass, optional laminated safety glass, acrylic glass
Dial	Aluminum, black markings on white background, others on request
Pointer	Aluminum, black with micrometer adjustment
Movement	Stainless steel 304
Accuracy	0.5 % F.S.
Permissible	
Ambient temperature	-40 ... 60 °C (-40 ... 140 °F)
Medium temperature	Max. 120 °C (248 °F) (dry), max. 100 °C (212 °F) (for liquid filled)
Storage temperature	-40 ... 65 °C (-40 ... 150 °F)
Effect	Max. 0.3 % / 10 K
Protection according	IP65
Filling liquids	Glycerin, silicone, halocarbon, others on request
Mounting	Standard stem type, surface or others on request
Weight dry/filled in kg	0.86 / 1.26
Accessories, options	NACE compliance, diaphragm seals, valves, dampener, gauge saver, syphon etc



Order information

Size	Type	System material	Execution	Process connection	Connection orientation	Range	Engineering units	Filling/case material	Options
(45) 4 1/2"	WPP	(S) Socket 316, Tube 316	(L) IP65	(04) 1/2" NPT (M)	(L) Lower	-1/ 0	kg/cm ² (bar)	(=) Standard no filling	(NH) Tagging wired (DA) Dial Marking (CS) Dual Scale (OF) Oil free (PD) Acrylic glass (SG) Safety glass (TU) Throttle screw (PR) Receiver gauge (AV) Anti-Vibration ²⁾
				(03) 3/8" NPT (M)		-1/ 0.6		(GV) Silicone ¹⁾	
				(02) 1/4" NPT (M)		-1/ 1.5		(GR) Glycerin ¹⁾	
		(15) 1/2" BSP (M)		-1/ 3		(GX) Halocarbon ¹⁾			
		(14) 3/8" BSP (M)		-1/ 5					
		(13) 1/4" BSP (M)		-1/ 9					
		(16) M20x1.5 (M)		-1/ 15					
		(KQ) 1/2" BSPT (M)		-1/ 24					
		(KR) 3/8" BSPT (M)		0/ 0.6 ¹⁾					
		(KA) 1/4" BSPT (M)		0/ 1					
				0/ 1.6					
				0/ 2.5					
				0/ 4					
				0/ 6					
				0/ 10					
				0/ 16					
	0/ 25								
	0/ 40								
	0/ 60								
	0/ 100								
	0/ 160								
	0/ 250								
	0/ 400								
	0/ 600								
	0/ 1000								
	0/ 1600								
	0/ 2500								

1) Not for 0.6 kg/cm² 2) For pressure ranges ≥ 2.5 kg/cm² & available with limited options, Halocarbon filling not allowed & consult engineering.

How to order

Size	Type	System material	Execution	Process connection	Connection orientation	Range	Engineering unit	Filling/Case material	Option
45	WPP	S	L	04	L	0/16	KG/CM2	NA	NH