

Pulsation dampener / Snubber

Model PD1

ASME B40.100

Features

- Protects pressure instrument from line surges
- Reduce pulsation of process fluid
- Stainless steel body optional monel
- Improve reading and accuracy of instruments
- Horizontal and vertical installation

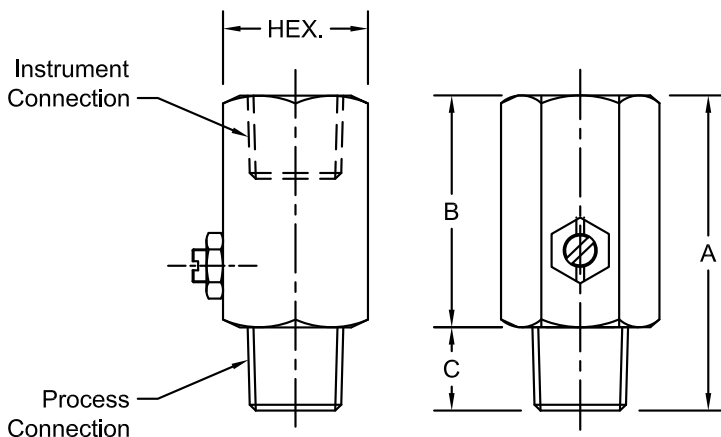
Applications

Reciprocating pumps and compressor
 Hydraulic Machines and fluid power system
 Process plant, Power plant
 Chemical and Petrochemical Industries
 Off shore and on shore refineries
 Clean air, gas and non-crystallizing media



Permissible Pressure rating:
 400 kg/cm² @ 100°C (212°F)

General dimensions in mm



Connection	A	B	C	HEX. A/F
1/4"(MX F)	55	40	15	25
3/8"(MX F)	55	39	16	25
1/2"(MX F)	63	43	20	28

Order information

Type	Connection	Form ¹⁾	System material	Options
PD1	(02)1/4" NPT (04)1/2" NPT (13)1/4" BSP (14)3/8" BSP (15)1/2" BSP (16)M20x1.5 Others on request	(M/F) Male X female	(C) SS 304 (S) SS 316 (L) SS 316L (P) Monel (H) Hastelloy-C	(NH) Tagging Stamped (OF) Oil free (CD3) Material certificate for wetted parts (10K) Pressure rating 10000PSI

1) For Form, First character indicates Process connection and Second character indicates Instrument connection

How to order

Type	Connection	Form	System material	Option
PD1	04	M/F	S	CD3