

Gauge valves / Gauge cock

Model GV1/GV2/GV3

Features

- As per industrial standards
- Stainless steel body
- Provision of optional vent hole for drain
- Provide complete isolation of the media.
- Perfect alignment for positive air tight shut-off
- Designed for mounting below test pressure instrument

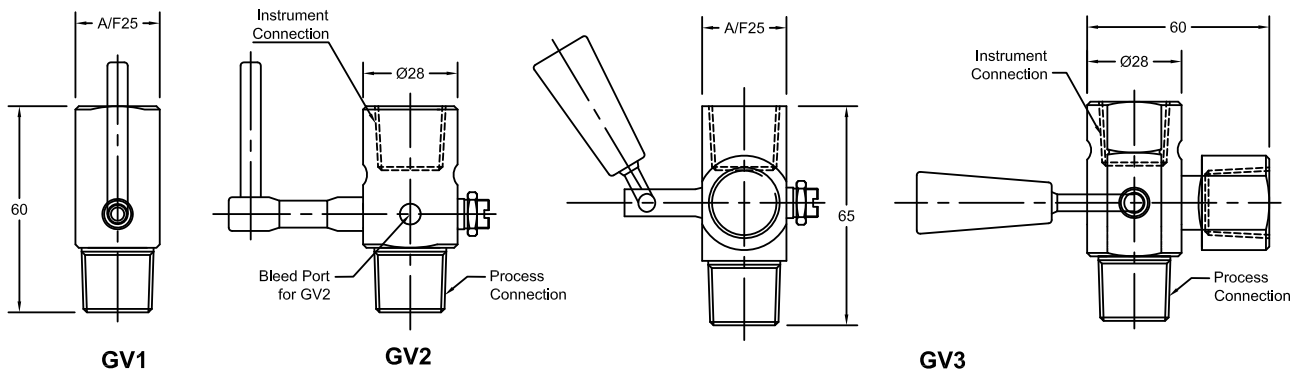
Applications

Isolation of instrument from service
 Liquid and vapour service
 Process industry, Power plant
 Chemical and Petrochemical Industries
 Off shore and on shore processes
 Oil and gas refineries



Permissible Pressure rating:
 70 kg/cm² @ 100°C

General dimensions in mm



Order information

Type	Connection	Form ¹⁾	System material	Options
GV1 Gauge isolation valve	(04) 1/2" NPT	(M/F) Male X female	(C) SS 304	(NH) Tagging Stamped
GV2 Two way gauge cock	(14) 3/8" BSP	(F/F) Female X female	(S) SS 316	(OF) Oil free
GV3 Three way gauge cock	(15) 1/2" BSP Others on request		(L) SS 316L	(CD3) Material certificate for wetted parts

1) For Form, First character indicates Process connection and Second character indicates Instrument connection

How to order

Type	Connection	Form	System material	Options
GV1	04	M/F	S	CD3