

Industrial Pressure gauges

Model GES

Nominal size: 100 mm (4")

ASME B40.100 / EN 837-1 / IS-3624

Accuracy: Class 1 (1%)

Features

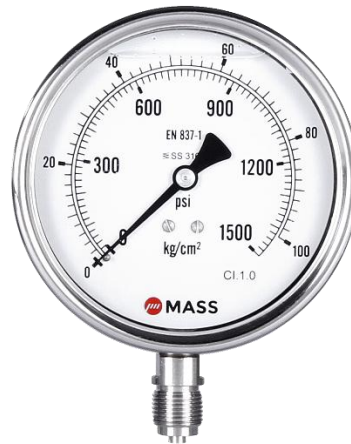
- Rugged stainless steel construction
- Socket and case welded
- Protection IP65
- Overload protection 130 %
- Dry or liquid filled
- Measuring system stainless steel

Ranges

-30 in. Hg ... 0 psi up to 0 ... 10,000 psi

-1 ... 0 bar up to 0 ... 700 bar & kg/cm²

-100 ... 0 kPa up to 0 ... 70,000 kPa



Applications

Power packs

Hydraulic machinery

Pumps

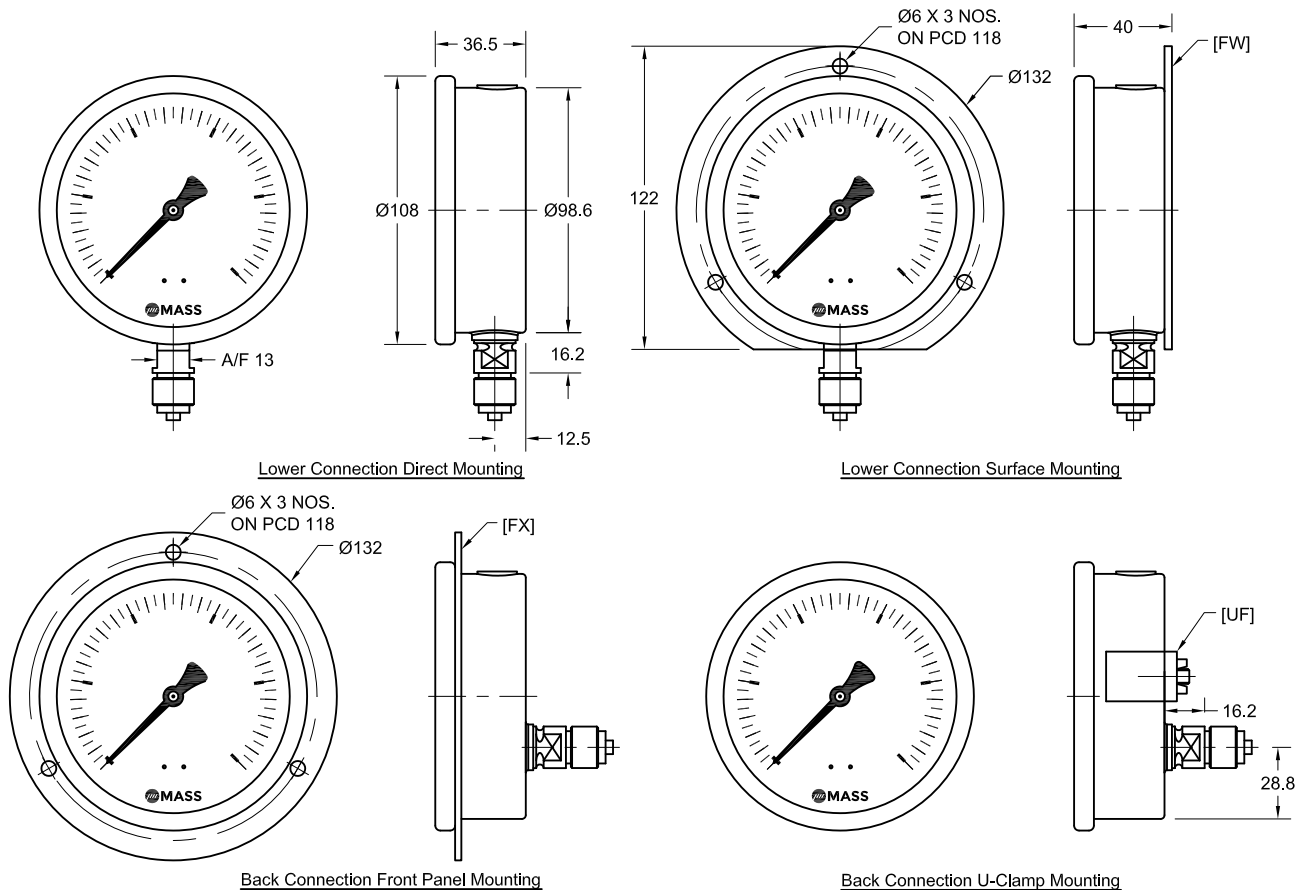
Power plants

Pipelines

Transmission stations

Technical specification	GES
Dial size in mm	100
Construction	Open front cylindrical case with crimp type bezel ring
Measuring principle	Bourdon tube
Range in kg/cm ² (or bar)	1 1.6 2.5 4 6 10 16 25 40 60 100 160 250 400 600 -1/0 -1/0.6 -1/1.5 -1/3 -1/5 -1/9 -1/15 -1/24
Overpressure limit	130 % F.S., short time.
Pressure type	Gauge, vacuum and compound
Process connection	1/4" 3/8" BSP / NPT (M)
Connection location	Lower, back
Material	
Pressure connection	Stainless steel 304
Tube	Stainless steel 316L
Case/bayonet ring	Stainless steel 304
Window	Acrylic glass
Dial	Aluminum, black markings on white background
Pointer	Aluminum, black
Accuracy	Class 1 (1 % F.S.)
Permissible	
Ambient temperature	-40 ... 60 °C (-40 ... 140 °F)
Medium temperature	Max. 100 °C (212 °F)
Storage temperature	-40 ... 65 °C (-40 ... 150 °F)
Effect	Max. 0,3 % / 10 K
Protection according	IP65
Filling liquids	Glycerin, Silicone
Mounting	Standard stem, optional panel, bracket, surface or others on request
Weight dry / filled in kg	0.35 / 0.58
Accessories, options	Diaphragm seals, valves, dampener, gauge saver, etc

General dimensions in mm



Order information

Size	Type	System material	Execution	Process connection	Connection orientation	Range	Engineering units	Filling liquids	Options
(100) 100 mm	GES	(A) Socket 304, Tube 316L	(L) IP 65	(03) 3/8" NPT (M) (02) 1/4" NPT (M) (14) 3/8" BSP (M) (13) 1/4" BSP (M)	(L) Lower (B) Back	-1/ 0 -1/ 0.6 -1/ 1.5 -1/ 3 -1/ 5 -1/ 9 -1/ 15 -1/ 24 0/ 1 0/ 1.6 0/ 2.5 0/ 4 0/ 6 0/ 10 0/ 16 0/ 25 0/ 40 0/ 60 0/ 100 0/ 160 0/ 250 0/ 400 0/ 600	kg/cm ² (bar)	(=) No filling (GV) Silicone (GR) Glycerin	(NH) Tagging wired (CS) Dual Scale (FX) Front panel (FW) Surface plate (UF) U-clamp

Equivalent ranges in kPa, MPa, psi, bar and others units available

How to order

Size	Type	System material	Execution	Process connection	Connection orientation	Range	Engineering unit	Filling liquids	Option
100	GES	A	L	14	L	0/16	KG/CM ²	=	NH