

Extreme performance process gauges

Model EPG

Nominal size: 63 mm (2.5"), 100 mm (4"), 115 mm (4.5"), 150 mm (6")

ASME B40.100 / EN 837-1 / IS-3624

Accuracy: Class 1 (1%) / Class 1.6 (1.6%) for 63mm

Features

- German Bourdon tube and Movement
- Rugged stainless steel construction
- Measuring system stainless steel or Monel
- Socket and case welded.
- Protection IP65, IP66 and IP67
- Usable to full scale
- Overload protection 130 %
- Dry, liquid filled
- Optional contacts
- Optional Anti-Vibration system



Ranges

-30 in. Hg ... 0 psi up to 0 ... 36,000 psi

-1 ... 0 bar up to 0 ... 2500 bar & kg/cm²

-100 ... 0 kPa up to 0 ... 250,000 kPa

Applications

Chemical & petrochemical industries, refineries

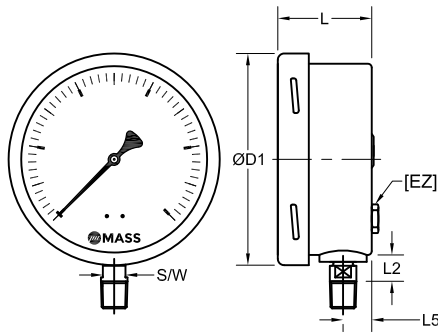
Fertilizer, thermal & nuclear power plants

OEM & machine apparatus

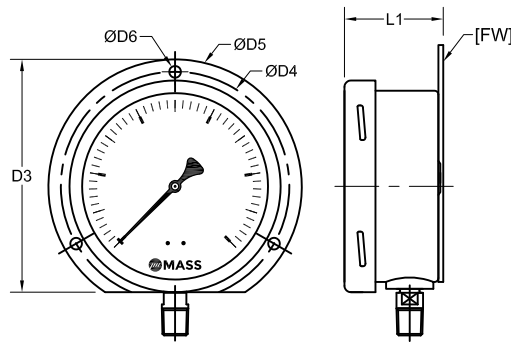
Pulp and paper industry

Technical specification	EPG			
	63	100	115	150
Dial size in mm	63	100	115	150
Construction	Open front cylindrical case with snap action bayonet ring with blow out disc			
Measuring principle	Bourdon tube			
Range in kg/cm ²	0.6 1 1.6 2.5 4 6 10 16 25 40 60 100 160 250 400 600 1000 1600 2500			
Overpressure limit	130 % F.S., short time.			
Pressure type	Gauge, vacuum and compound			
Process connection	1/8" 1/4" 3/8" 1/2" BSP / NPT (M) , M20x1.5 (M)			
Connection location	Lower, back			
Material	Pressure connection: Stainless steel 316, optional 316L, Monel Tube: Stainless steel 316, optional 316L, Monel, Ni Span Case/bayonet ring: Stainless steel 304 , optional 316L Window: Instrument glass, optional laminated safety glass, acrylic glass Dial: Aluminum, black markings on white background, others on request Pointer: Aluminum, black optional micrometer adjustment Movement: Stainless steel 304			
Accuracy	Class 1.6 (1.6 % F.S)		Class 1 (1 % F.S.), optional 0.5% F.S.	
Permissible	Ambient temperature: -40 ... 60 °C (-40 ... 140 °F) Medium temperature: Max. 200 °C (392 °F) (dry), max. 100 °C (212 °F) (for liquid filled) Storage temperature: -40 ... 65 °C (-40 ... 150 °F) Effect: Max. 0,3 % / 10 K			
Protection according	IP65 / IP66 / IP67			
Filling liquids	Glycerin, silicone, halocarbon, others on request			
Mounting	Standard stem, optional panel, bracket, surface or others on request			
Weight dry/filled in kg	0.1 / 0.17	0.51 / 0.86	0.53 / 0.88	0.88 / 1.78
Accessories, options	NACE, diaphragm seals, valves, electric contacts, dampener, gauge saver, syphon etc			

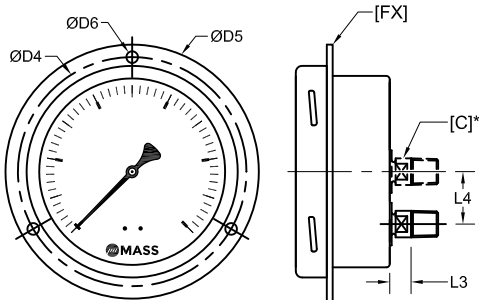
General dimensions in mm



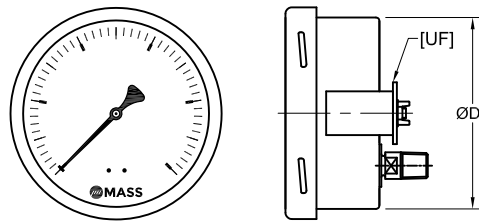
Lower Connection Direct Mounting



Lower Connection Surface Mounting



Back Connection Front Panel Mounting



Back Connection U-Clamp Mounting

DIAL SIZE	63	100	115	150
ØD1	68.6	109	127	166
ØD2	61.6	98.5	114.5	152
D3	78	122	140	176
ØD4	75	118	136	168
ØD5	85	132	152	186
ØD6	3.6	6	6	6
L	33	49	49	49
L1	37	51.5	51.5	51.5
L2	13	16	16	16
L3	13	16	16	16
L4	19	27	27	27
L5	10.8	14.8	14.8	15.5
SW	11	17	17	17

[C]* for 63mm only

Order information

Size	Type	System material	Execution	Process connection	Connection orientation	Range	Engineering units	Filling/case material	Options
(63) 63mm	EPG	(S) Socket 316, Tube 316	(L) IP65	(04) 1/2" NPT (M) ¹⁾	(L) Lower	-1/ 0	kg/cm ² (bar)	(=) Standard no filling	(NH) Tagging wired
(100) 100mm			(R) IP66	(03) 3/8" NPT (M) ¹⁾	(B) Back	-1/ 0.6			
(115) 115mm	(L) Socket and Tube 316L	(N) IP67	(02) 1/4" NPT (M)	(C) Centre back ²⁾	-1/ 1.5	Equivalent ranges in kPa, MPa, psi, bar and others units available	(GV) Silicone ⁴⁾	(CS) Dual Scale	
(150) 150mm			(01) 1/8" NPT (M)	-1/ 3					
	(P) Socket and Tube Monel ¹⁾	(D) Socket 316, Tube Ni Span ¹⁾	(01) 1/8" NPT (M)		-1/ 5	(GR) Glycerin ⁴⁾	(OF) Oil free		
			(15) 1/2" BSP (M) ¹⁾	-1/ 9	(MP) Micrometer pointer ¹⁾				
			(14) 3/8" BSP (M) ¹⁾		-1/ 15	(GX) Halocarbon ⁴⁾	(PD) Acrylic glass		
			(13) 1/4" BSP (M)		-1/ 24	(YW) Case material 316L (1.4404)	(SG) Safety glass		
			(12) 1/8" BSP (M)		0/ 0.6 ¹⁾	(EC) Contact type and function (see EC.1) ^{1)3) 4)}	(FX) Front panel		
			(16) M20x1.5 (M) ¹⁾		0/ 1		(FW) Surface plate		
			(KQ) 1/2" BSPT (M) ¹⁾		0/ 1.6		(UF) U-clamp		
			(KR) 3/8" BSPT (M) ¹⁾		0/ 2.5		(AV) Anti-Vibration ¹⁾³⁾⁵⁾		
			(KA) 1/4" BSPT (M)		0/ 4		(AJ) Calibration 0.5 % F.S. ¹⁾		
					0/ 6		(TU) Throttle screw		
					0/ 10				
					0/ 16				
					0/ 25				
					0/ 40				
					0/ 60				
					0/ 100				
					0/ 160				
					0/ 250				
					0/ 400				
					0/ 600				
					0/ 1000				
					0/ 1600 ¹⁾				
					0/ 2500 ¹⁾				

1) Not for size 63mm 2) For 63mm only 3) For dry gauges only 4) Not for 0.6 kg/cm² 5) For pressure ranges ≥ 2.5 kg/cm² & available with limited options, Halocarbon filling not allowed

How to order

Size	Type	System material	Execution	Process connection	Connection orientation	Range	Engineering unit	Filling/Case material	Option
150	EPG	S	L	04	L	0/16	KG/CM2	NA	NH