

Compact high pressure seal

Model DS54

ASME B40.100

Features

- All welded metal construction
- No gaskets or bolts
- All material stainless steel

Ranges

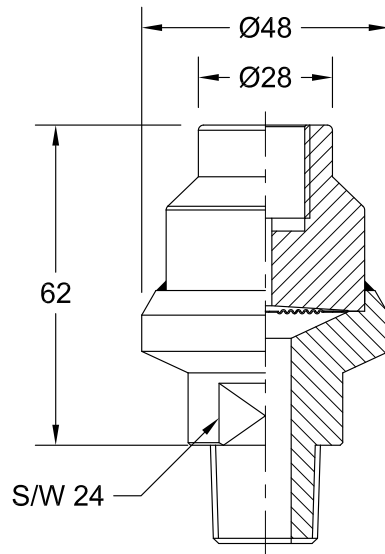
1500 psi up to 6000 psi
 100 kg/cm² up to 400 bar & kg/cm²
 10000 kPa up to 40000 kPa

Applications

Chemical and petrochemical industry
 Machine and apparatus construction
 Power station



Technical Specification	DS54
Process connection size (ISO 228-1 / ASME B1.20.1)	1/4" 3/8" 1/2" 3/4" BSP (M) / NPT (M) , M20x1.5(M), others on request
Pressure range in bar (min max)	100 400
Maximum pressure Standard housing [psi / bar]	6000 / 400
Material Housing Diaphragm (metal type)	Stainless steel 316, Optional Stainless steel 316L , Hasteloy-C276 Stainless steel 316L Optional Hasteloy-C276
Accuracy	Additional 0,5 % to the specified tolerance of the mounted instrument
Filling liquids (temperature range)	Glycerin (0/400 °F, -18/204 °C), Silicone (-40/600 °F, -40/315 °C), Halocarbon (-70/300 °F, -56/149 °C), Syltherm 800 (-40/750 °F, -40/400 °C), Vegetable oil (32/248 °F, 0/120 °C), Food grade silicone (-13/400 °F, -25/200 °C), Others on request, also depending on selected material and configuration.
Mounting	Direct
Weight dry in grams	440
Accessories, options	Pressure gauges, transducer

General dimensions in mm

Order information

Process connection	Type	Diaphragm	Housing material	Instrument connection	Filling fluid	Option
(05) 3/4" NPT(M)	DS54	(S) 316L	(S) 316	(14T) 3/8" BSP(F)	(CG) Glycerin (direct mounted, -18/204 °C)	(NH) Tagging wired
(04) 1/2" NPT(M)		(H) Hastelloy C	(L) 316L		(CK) Silicone (direct mounted or with capillary, -40/315 °C)	(OF) Oil free (only filled with halocarbon)
(03) 3/8" NPT(M)			(H) Hastelloy C		(GZ) Vegetable oil (direct mounted, 0/120 °C)	(PU) Flushing connection 1/4" NPT (F)
(02) 1/4" NPT(M)					(CF) Halocarbon (direct mounted or with capillary, -56/149 °C)	(CA) Stainless steel armored capillary ¹⁾
(16) M20x1.5(M)					(HA) Syltherm 800 (direct mounted or with capillary, -40/400 °C)	(CP) Stainless steel armored capillary with PVC sleeving ¹⁾
(17) 3/4" BSP(M)					(CZ) Food grade silicone (direct mounted or with capillary, -25/200 °C)	
(15) 1/2" BSP(M)						
(14) 3/8" BSP(M)						
(13) 1/4" BSP(M)						

¹⁾ Max length 30m, specify length in meter
EG. CP1.0 = CP with 1m

How to order

Process connection	Type	Diaphragm	Housing material	Instrument connection	Filling fluid	Option
02	DS54	S	S	14T	CK	CA1.0