

# Capsule type pressure gauge

## Model CPS

Nominal size: 63 mm (2.5"), 100 mm (4"), 115 mm (4.5"), 150 mm (6")

ASME B40.100 / EN 837-3 / IS-3624

Accuracy: 2.0%

### Features

- Low pressure measurement
- Stainless steel construction
- Suitable for gases and liquid application
- Protection IP54, IP65 and IP66
- Suitable for corrosive environments
- Suitable aggressive application
- Standard zero adjustment

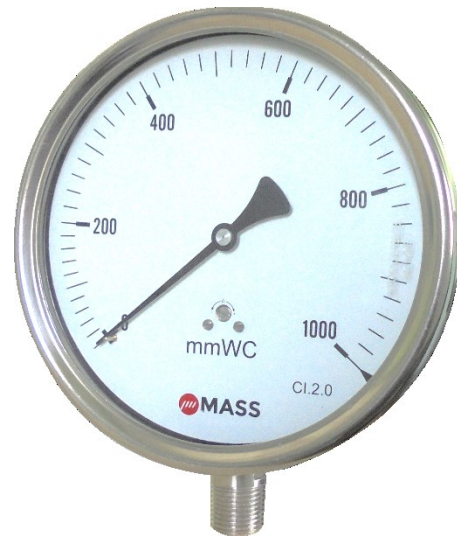
### Ranges

0 ... 60 mmWC up to 0 ... 6000 mmWC

0 ... 6 mbar up to 0 ... 600 mbar

0 ... 0.6 kPa up to 0 ... 60 kPa

in gauge, vacuum and compound



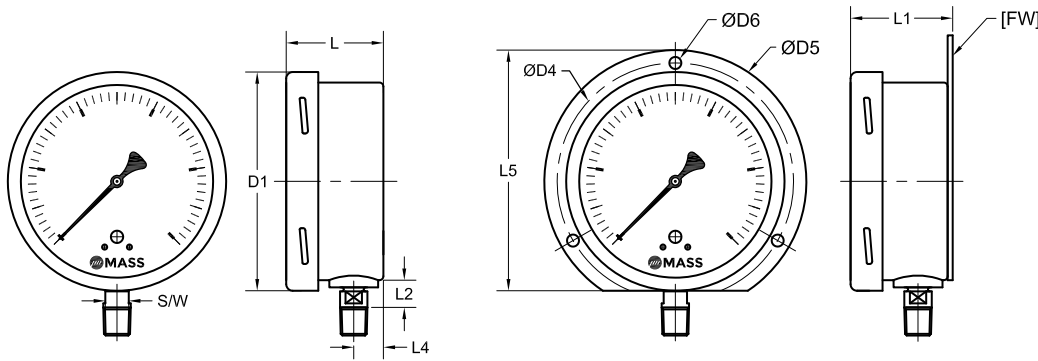
### Applications

Chemical & petrochemical industries, refineries

Air conditioning

Machine and apparatus construction

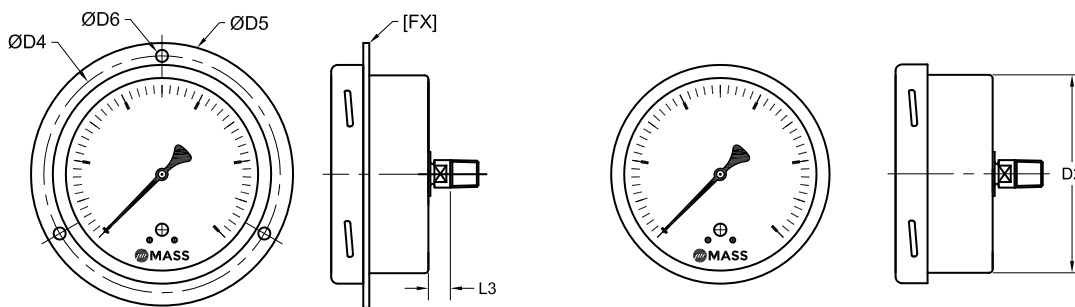
Technical specification	CPS													
	63	100	115	150										
Dial size [mm]	63	100	115	150										
Construction	Open front cylindrical case, with blow out disc at the back and vent plug on top													
Zero adjustment	Standard													
Measuring principle	Capsule													
Range [mbar]	6	10	16	25	40	60	100	160	250	400	600			
Overpressure limit	-6/0				-10/0	-16/0	-25/0	-40/0	-60/0	-100/0	-160/0	-250/0	-400/0	-600/0
Pressure type	130 % F.S., short time.													
Process connection	Gauge, vacuum and compound													
Connection location	1/4" 3/8" 1/2" BSP / NPT (M) , M20x1.5 (M)													
Material	Others on request													
Pressure connection	Lower, Centre back													
Capsule	Stainless steel 316													
Case/bayonet ring	Stainless steel 316													
Window	Stainless steel 304, optional 316L													
Dial	Instrument glass, optional laminated safety glass or acrylic glass													
Pointer	Aluminum, black markings on white background													
Movement	Aluminum, black													
Accuracy	Stainless steel													
Permissible	2.0 % F.S.													
Ambient temperature	-25 ... 60 °C (-13 ... 140 °F)													
Medium temperature	Max. 100 °C (212 °F)													
Storage temperature	-40 ... 65 °C (-40 ... 150 °F)													
Effect	Max. 0.5 % / 10 K													
Protection according EN 60 529/IEC 529	IP54 / IP65 / IP66													
Mounting	Standard stem, optional flush or surface, others on request													
Accessories, options	Valves, Pressure limiters, Cooling towers, etc													



Lower Connection Direct Mounting

Lower Connection Surface Mounting

DIAL SIZE	63	100	115	150
ØD1	68.6	109	127	166
ØD2	61.6	98.5	114.5	152
ØD4	75	118	136	168
ØD5	85	132	152	186
ØD6	3.6	6	6	6
L	47	49	49	49
L1	51	51.5	51.5	51.5
L2	13	16	16	16
L3	13	16	16	16
L4	10.8	14.8	14.8	15.5
L5	78	122	140	176
SW	11	17	17	17



Back Connection Front Panel Mounting

Back Connection Direct Mounting

Order information

Size	System material	Execution	Process connection	Connection orientation	Range	Engineering units	Case material	Options					
(63) 63 mm	(S) Socket and Capsule 316	(D) IP54	(04) 1/2" NPT (M) <sup>1)</sup>	(L) Lower	-6/ 0 <sup>2)</sup>	(MBAR)	(=) Standard	(NH) Tagging wired					
(100) 100 mm		(L) IP65	(03) 3/8" NPT (M) <sup>1)</sup>	(C) Centre back	-10/ 0 <sup>2)</sup>				(YW) Case material 316L (1.4404)	(CS) Dual scale			
(115) 115 mm		(R) IP66	(02) 1/4" NPT (M)		-25/ 0						Equivalent ranges in mmWC, kPa, inHg and others units available	(DA) Dial marking	
(150) 150 mm			(15) 1/2" BSP (M) <sup>1)</sup>		-60/ 0								(PD) Acrylic glass
			(14) 3/8" BSP (M) <sup>1)</sup>		-100/ 0								
	(13) 1/4" BSP (M)		-160/ 0	(FW) Back flange									
	(16) M20x1.5 (M) <sup>1)</sup>		-250/ 0		(FX) Front flange <sup>3)</sup>								
			-400/ 0										
			-600/ 0										

1) Not for Size 63 mm    2) Only for size 150 mm    3) only center back connection

How to order

Size	Type	System material	Execution	Process connection	Connection orientation	Range	Engineering unit	Case material	Option
150	CPS	S	D	04	L	0/60	MBAR	=	NH