

# Capsule type pressure gauge

## Model CPB

Nominal size: 63 mm (2.5"), 100 mm (4"), 115 mm (4.5"), 150 mm (6")

ASME B40.100 / EN 837-3 / IS-3624

Accuracy: 2.0%

### Features

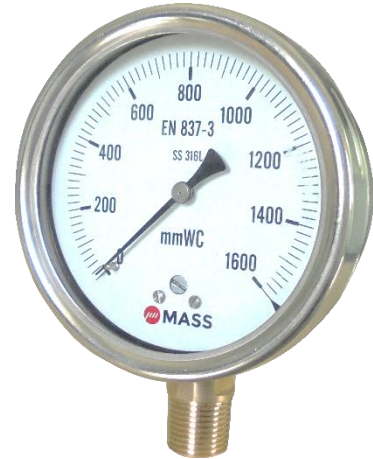
- Low pressure measurement
- Stainless steel case
- Suitable for gases and liquid application
- Protection IP54
- Standard zero adjustment

### Ranges

-10 in. Hg ... 0 psi up to 0 ... 6 psi

-400 ... 0 mbar up to 0 ... 400 mbar

-40 ... 0 kPa up to 0 ... 40 kPa

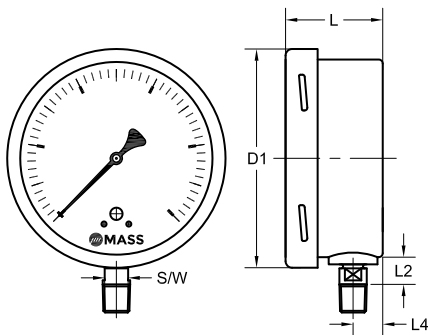


### Applications

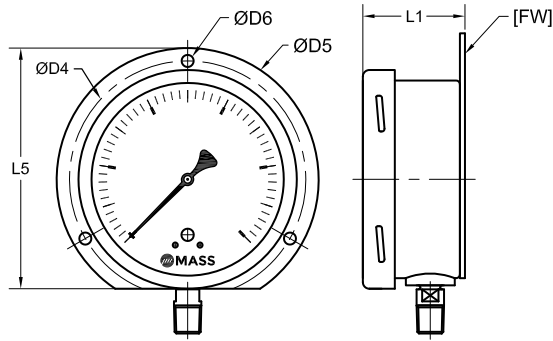
Air conditioning

Machine and apparatus construction

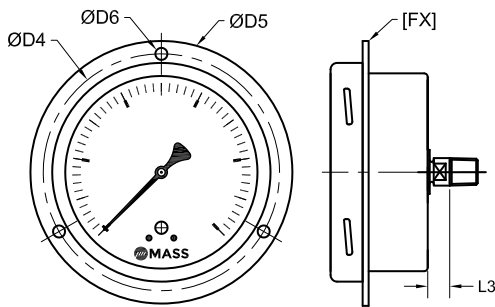
Technical specification	CPS									
	63	100	115	150						
Dial size [mm]	63	100	115	150						
Construction	Open front cylindrical case, with blow out disc at the back and vent plug on top									
Zero adjustment	Standard									
Measuring principle	Capsule									
Range [mbar]	6	10	16	25	40	60	100	160	250	400
Overpressure limit	-6/0	-10/0	-16/0	-25/0	-40/0	-60/0	-100/0	-160/0	-250/0	-400/0
Pressure type	130 % F.S., short time.									
Process connection	Gauge, vacuum and compound									
Connection location	1/4" 3/8" 1/2" BSP / NPT (M) , M20x1.5 (M)									
Material	Others on request									
Pressure connection	Lower, Centre back									
Capsule	Brass									
Case/bayonet ring	Brass									
Window	Stainless steel 304									
Dial	Instrument glass, optional laminated safety glass or acrylic glass									
Pointer	Aluminum, black markings on white background									
Movement	Aluminum, black									
Accuracy	Brass									
Permissible	2.0 % F.S.									
Ambient temperature	-25 ... 60 °C (-13 ... 140 °F)									
Medium temperature	Max. 65 °C (149 °F)									
Storage temperature	-40 ... 65 °C (-40 ... 150 °F)									
Effect	Max. 0,3 % / 10 K									
Protection according EN 60 529/IEC 529	IP54									
Mounting	Standard stem, optional flush or surface, others on request									
Accessories, options	Valves, Pressure limiters, Cooling towers, etc									



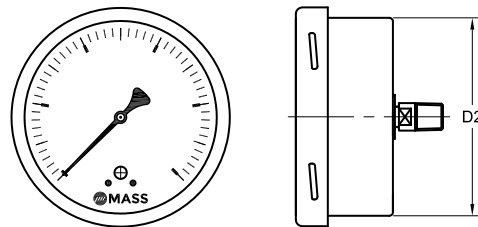
Lower Connection Direct Mounting



Lower Connection Surface Mounting



Back Connection Front Panel Mounting



Back Connection Direct Mounting

DIAL SIZE	63	100	115	150
ØD1	68.6	109	127	166
ØD2	61.6	98.5	114.5	152
ØD4	75	118	136	168
ØD5	85	132	152	186
ØD6	3.6	6	6	6
L	47	49	49	49
L1	51	51.5	51.5	51.5
L2	13	16	16	16
L3	13	16	16	16
L4	10.8	14.8	14.8	15.5
L5	78	122	140	176
SW	11	17	17	17

Order information

Size	System material	Execution	Process connection	Connection orientation	Range	Engineering units	Case material	Options										
(63) 63 mm	(B) Socket and Capsule Brass	(D) IP54	(04) 1/2" NPT (M) <sup>1)</sup>	(L) Lower	-6/ 0 <sup>2)</sup>	(MBAR)	(=) Standard	(NH) Tagging wired										
(100) 100 mm			(03) 3/8" NPT (M) <sup>1)</sup>	(C) Centre back	-10/ 0 <sup>2)</sup>													
(115) 115 mm			(02) 1/4" NPT (M)		-16/ 0 <sup>2)</sup>													
(150) 150 mm			(15) 1/2" BSP (M) <sup>1)</sup>		-25/ 0 <sup>2)</sup>													
			(14) 3/8" BSP (M) <sup>1)</sup>		-40/ 0 <sup>2)</sup>													
			(13) 1/4" BSP (M)		-60/ 0													
	(16) M20x1.5 (M) <sup>1)</sup>		-100/ 0		-160/ 0		-250/ 0		-400/ 0									
					0/ 6 <sup>2)</sup>	Equivalent ranges in mmWC and others units available												
					0/ 10 <sup>2)</sup>													
					0/ 16 <sup>2)</sup>													
					0/ 25 <sup>2)</sup>													
					0/ 40 <sup>2)</sup>													
					0/ 60													
					0/ 100													
					0/ 160													
					0/ 250													
					0/ 400													

1) Not for Size 63 mm 2) Only for size 150 mm 3) only centre back connection

How to order

Size	Type	System material	Execution	Process connection	Connection orientation	Range	Engineering unit	Case material	Option
150	CPB	B	D	04	L	0/60	MBAR	=	NH