

Stainless steel process gauges

Model WPS

Nominal size 63 mm, 100 mm, 115 mm, 150 mm or 250 mm
Accuracy: Class 1(1%) / Class 1.6 (1.6%) for 63mm

Features

- Rugged stainless steel construction
- Socket and case welded
- Protection IP54, IP65, IP66 and IP67
- Usable to full scale
- Overload protection 130 %
- Dry, liquid filled
- Measuring system stainless steel or Monel
- Optional contacts

Ranges

-1 ... 0 kg/cm² up to 0 ... 1400 kg/cm²
-30 in. Hg ... 0 psi up to 0 ... 20,000 psi

Applications

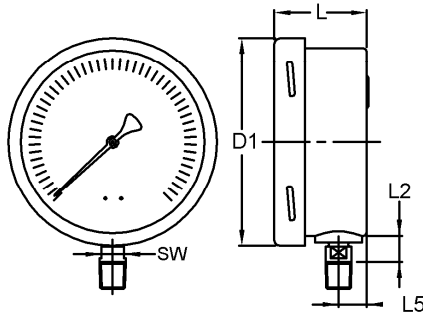
Chemical & petrochemical industries, refineries
Fertilizer, thermal & nuclear power plants
OEM & machine apparatus



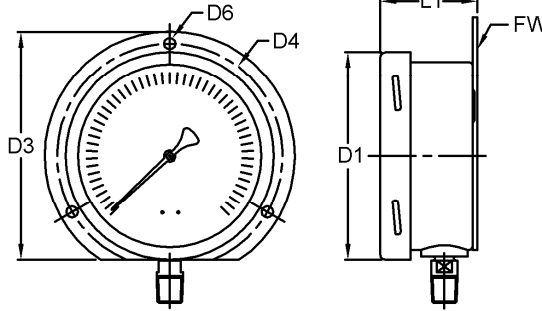
Technical specification	WPS				
	63	100	115	150	250
Dial size in mm	63	100	115	150	250
Construction	Open front cylindrical case with snap action bayonet ring with blow out disc				
Measuring principle	Bourdon tube				
Range in kg/cm ²	0.6 1 1.6 2.5 4 6 10 16 25 40 60 100 160 250 400 600 1000 1400				
Overpressure limit	-1/0 -1/0.6 -1/1.5 -1/3 -1/5 -1/9 -1/15 -1/24				
Pressure type	130 % F.S., short time. Gauge, vacuum and compound				
Process connection	1/8" 1/4" 3/8" 1/2" BSP / NPT (M) , M20x1.5 (M) Others on request				
Connection location	Lower, back				
Material	Pressure connection: Stainless steel 316, 316L, Monel Tube: Stainless steel 316L optional Monel Case/bayonet ring: Stainless steel 304 , optional 316L Window: Instrument glass, optional laminated safety glass, acrylic glass Dial: Aluminum, black markings on white background, others on request Pointer: Aluminum, black optional micrometer adjustment Movement: Stainless steel 304				
Accuracy	Class 1.6(1.6% F.S)		Class 1 (1 % F.S.)		Class 1 (1 % F.S.), optional 0,5 % F.S.
Permissible	Ambient temperature: -25 ... 60 °C Medium temperature: Max. 200 °C (dry), max. 100 °C (for liquid filled) Storage temperature: -40 ... 60 °C Effect: Max. 0,3 % / 10 K				
Protection according	IP54/IP65/IP66/IP67				
Filling liquids	Glycerin, silicone, halocarbon, others on request				
Mounting	Standard stem, optional panel, bracket, surface or others on request				
Weight dry/filled in kg					
Accessories, options	NACE, diaphragm seals, valves, electric contacts, dampener, gauge saver, syphon etc				

All specifications are subject to change without notice.

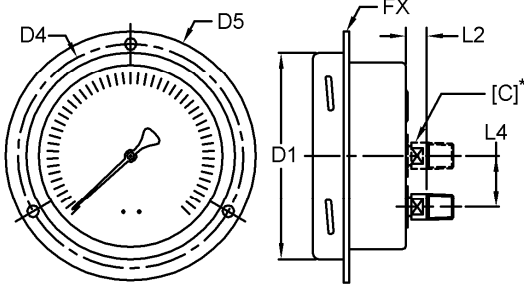
General dimensions in mm



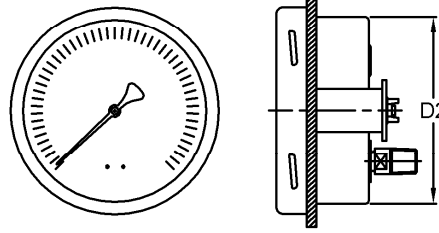
Lower Connection Direct Mounting



Lower Connection Surface Mounting



Back Connection Front Panel Mounting



Back Connection U-clamp Mounting

DIAL SIZE	63	100	115	150	250
Ø D1	68.5	109	126.5	168	265
Ø D2	61.5	98.5	114.5	152	252.5
D3	78	122	140	179	-
D4	75	118	136	168	-
D5	86	134	152	186	-
D6	3.6	6	6	6	7
L	33	48.5	48.5	48.5	53
L1	37	51	51	52	-
L2	13	16	16	16	20
L3	13	18	18	18	15
L4	-	27	27	45	45
L5	9	14.8	14.8	15.5	14.8
SW	11	17	17	17	17

Order information

[C]* for 63mm only

Size	Type	System material	Execution	Process connection	Connection orientation	Range	Engineering units	Filling/case material	Options
(63) 63mm	WPS	(S) Socket 316, Tube 316	(D) IP54	(04) 1/2" NPT (M) ¹⁾	(L) Lower	-1/ 0	(kg/cm ²)	(=) Standard no filling	(NH) Tagging wired
(100) 100 mm			(L) IP65	(03) 3/8" NPT (M) ¹⁾	(B) Back	-1/ 0.6		(GV) Silicone ⁵⁾	(DA) Dial Marking
(115) 115mm		(L) Socket and Tube 316L	(R) IP66	(02) 1/4" NPT (M)	(C) Centre back ²⁾	-1/ 1.5		(GR) Glycerin ⁵⁾	(CS) Dual Scale
(150) 150mm			(N) IP67	(01) 1/8" NPT (M)		-1/ 3		(GX) Halocar-bon ⁵⁾	(OF) Oil free
(250) 250mm			(P) Socket and Tube Monel ¹⁾	(15) 1/2" BSP (M) ¹⁾		-1/ 5		(YW) Case material 316L (1.4404)	(MP) Micrometer pointer ¹⁾
				(14) 3/8" BSP (M) ¹⁾		0/ 0.6 ¹⁾		(EC) Contact type and function (see EC.1) ¹⁾³⁾⁵⁾	(PD) Acrylic glass
				(13) 1/4" BSP (M)		0/ 1			(SG) Safety glass ⁶⁾
				(12) 1/8" BSP (M)		0/ 1.6			(FX) Front panel
				(16) M20x1.5 (M) ¹⁾		0/ 2.5			(FW) Surface plate
						0/ 4			(UF) U-clamp
						0/ 6			(TU) Throttle screw
						0/ 10			(AJ) Calibration 0.5 % F.S. ⁴⁾
						0/ 16			(PR) Receiver gauge ¹⁾
						0/ 25			
						0/ 40			
						0/ 60			
						0/ 100			
						0/ 160			
						0/ 250			
						0/ 400			
						0/ 600			
						0/ 1000 ¹⁾			
						0/ 1400 ¹⁾			

1) Not for size 63mm 2) For 63mm only 3) Specify details 4) For 150 mm, 250 mm 5) Not for 0.6 kg/cm² 6) not for 250 mm

How to order

Size	Type	System material	Execution	Process connection	Connection orientation	Range	Engineering unit	Filling/Case material	Option
100	WPS	S	L	04	L	0/16	KG/CM2	NA	NH

Ashcroft India Pvt. Ltd.

Plot No.: 2306, G.I.D.C. Chhatral, Ta: Kalol, Dist.: Gandhinagar,
 CHHATRAL 382 729, Gujarat, INDIA.
 Telephone: +91 (0) 2764 233681/82/83 Fax: +91-2764-233440
 Email: sales@ashcroftindia.com www.ashcroftindia.com

- North Zone : sales.delhi@ashcroftindia.com
- East zone : sales.kolkata@ashcroftindia.com
- West zone : sales.mumbai@ashcroftindia.com
- South zone : sales.chennai@ashcroftindia.com