

Stainless steel test gauge open front or solid front

Model TGS

Nominal size 150 mm or 250 mm
Accuracy: 0.5%

Features

- Rugged stainless steel construction
- Protection IP65
- Usable to full scale
- Overload protection 130 %
- Dry, liquid filled
- Measuring system brass or stainless steel

Ranges

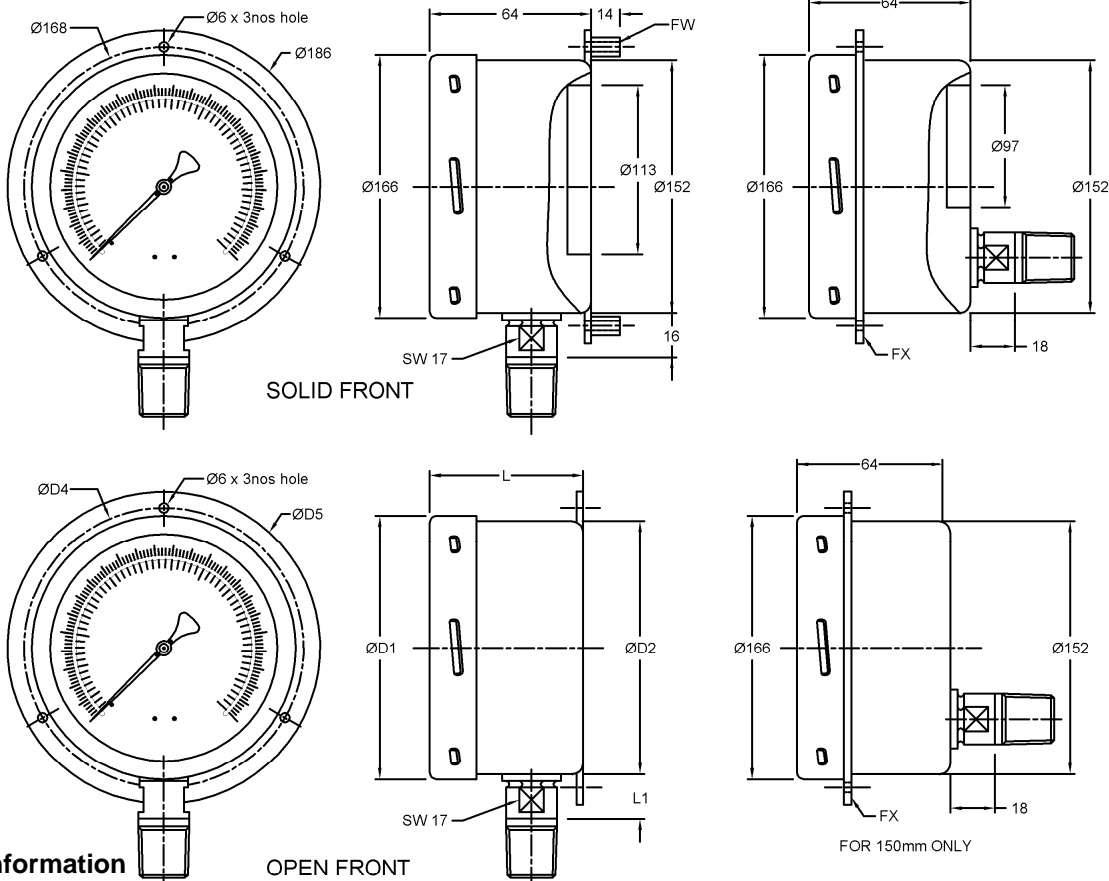
-1 ... 0 kg/cm² up to 0 ... 1000 kg/cm²
-30 in. Hg ... 0 psi up to 0 ... 15,000 psi

Applications

Chemical & petrochemical industries
Machine and apparatus construction
Food and beverage industries
Pulp and paper industries

Technical specification	TGS	
	150	250
Dial size in mm	150	250
Construction	Open front cylindrical case with snap action bayonet ring, optional solid front for 150mm	
Measuring principle	Bourdon tube	
Range in kg/cm ²	0.6 1 1.6 2.5 4 6 10 16 25 40 60 100 160 250 400 600 1000 -1/0 -1/0.6 -1/1.5 -1/3 -1/5 -1/9 -1/15 -1/24	
Overpressure limit	130 % F.S., short time.	
Pressure type	Gauge, vacuum and compound	
Process connection	1/4" 3/8" 1/2" BSP / NPT (M) , M20x1.5 (M) Others on request	
Connection location	Lower, back	
Material		
Pressure connection	Stainless steel 316	
Tube	Stainless steel 316L	
Case/bayonet ring	Stainless steel 304 optional 316	
Window	Instrument glass, optional laminated safety glass, acrylic glass	
Dial	Aluminum, black markings on white background, with polished mirror band	
Pointer	Aluminum, black knife edge micrometer adjustment	
Movement	Brass and Stainless steel 304	
Accuracy	Class 0.5 (0.5% F.S)	
Permissible		
Ambient temperature	-25 ... 60 °C	
Medium temperature	Max. 100 °C	
Storage temperature	-40 ... 60 °C	
Effect	Max. 0,3 % / 10 K	
Protection according	IP65	
Filling liquids	Glycerin, silicone, halocarbon, others on request	
Mounting	Standard stem, optional panel, bracket, surface or others on request	
Weight dry/filled in kg		
Accessories, options	Valves	

General dimensions in mm



DIAL SIZE	150	250
Ø D1	168	265
Ø D2	152	252.5
D3	179	-
D4	168	-
D5	186	-
D6	6	7
L	48.5	53
L1	52	-
L2	16	20
L3	18	15
L4	45	45
L5	15.5	14.8
SW	17	17

Order information

Size	Type	System material	Execution	Process connection	Connection orientation	Range	Engineering units	Filling/case material	Options
(150) 150mm	TGS	(S) Socket 316, Tube 316L	(=) IP65	(04) 1/2" NPT (M)	(L) Lower	-1/ 0	(kg/cm ²)	(=) Standard no filling	(NH) Tagging wired
				(03) 3/8" NPT (M)	(B) Back	-1/ 0.6			
(250) 250mm ³⁾	TGS	(S) Socket 316, Tube 316L	(=) IP65	(02) 1/4" NPT (M)		-1/ 1.5	(psi and others on request)	(GV) Silicone	(DA) Dial Marking
				(15) 1/2" BSP (M)		-1/ 3		(GR) Glycerin	(CS) Dual Scale
				(14) 3/8" BSP (M)		-1/ 5		(GX) Halocarbon	(OF) Oil free
				(13) 1/4" BSP (M)		-1/ 9		(YW) Case material 316 (1.4401)	(PD) Acrylic glass
				(16) M20x1.5 (M)		-1/ 15			(SG) Safety glass
						-1/ 24			(FX) Front panel
						0/ 0.6 ²⁾			(FW) Surface plate
						0/ 1			(UF) U-clamp ³⁾
						0/ 1.6			(SF) Solid front ¹⁾
						0/ 2.5			
						0/ 4			
						0/ 6			
		0/ 10							
		0/ 16							
		0/ 25							
		0/ 40							
		0/ 60							
		0/ 100							
		0/ 160							
		0/ 250							
		0/ 400							
		0/ 600							
		0/ 1000							

1) Not for 250mm 2) Not for liquid filled 3) Not for solid front (SF)

How to order

Size	Type	System material	Execution	Process connection	Connection orientation	Range	Engineering unit	Filling/Case material	Option
150	TGS	S	=	04	L	0/16	KG/CM ²	=	NH

Ashcroft India Pvt. Ltd.

Plot No.: 2306, G.I.D.C. Chhatral, Ta: Kalol, Dist.: Gandhinagar,
 CHHATRAL 382 729, Gujarat, INDIA.
 Telephone: +91 (0) 2764 233681/82/83 Fax: +91-2764-233440
 Email: sales@ashcroftindia.com www.ashcroftindia.com

- North Zone : sales.delhi@ashcroftindia.com
- East zone : sales.kolkata@ashcroftindia.com
- West zone : sales.mumbai@ashcroftindia.com
- South zone : sales.chennai@ashcroftindia.com