

Pressure switch series MP

General purpose

Accuracy: ± 1 %

Features

- Protection IP54, IP66
- Wetted parts available in several materials
- High proof pressure

Ranges

-37,5/+37,5 mbar up to 210 bar

-15/+15 in. H₂O up to 3000 psi

Applications

Chemical and petrochemical industry

Machine and apparatus construction

Food and beverage industry

Pulp and paper industry

Steel industry

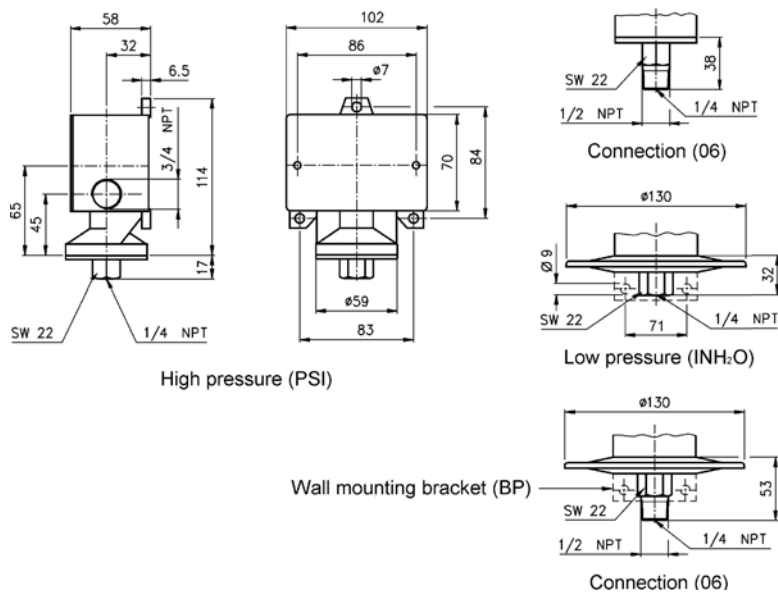
Power plants

Refineries



Technical specification	MP series
Construction	Weatherproof
Switch functions	One setpoint, single pole double throw (SPDT) or 2 times SPDT (2SPDT)
Adjustable range	From 15 % to 100 %, below 15 % consult factory
Deadband	From 0,5 % to 15 % F.S., depending on material, range and microswitch
Measuring principle	Diaphragm-piston-cylinder-system
Range in mbar	25 75 150 250 375 -37,5/37,5 -75/75
Range in bar	1 2 4 7 14 28 42 70 140 210 -1/0 -1/1 -1/2 -1/4
Limits (pressure ranges)	mbar vacuum 1 to 4 bar 7 to 14 bar 28 to 42 bar 70 to 210 bar
Proof pressure in bar	1,4 17 35 69 165 827
Burst pressure in bar	2,4 28 103 207 207 1240
Pressure type	Gauge, vacuum and compound
Process connection	¼ NPT female, ½ NPT male/¼ NPT female (standard for ≥ 70 bar) ½ NPT female, G ½ B male, M20x1,5, others on request (metric connections with adapter)
Connection location	Lower
Material	
Pressure connection	Stainless steel 316 (1.4401), optional Monel
Diaphragm	For mbar ranges steel epoxy coated standard, stainless steel on request Buna N, Viton (max. 70 bar), Teflon, stainless steel 316 (1.4401) or Monel (stainless steel and Monel only from 1 bar to 70 bar)
Housing	Aluminum, epoxy coated.
Accuracy	1,0 % F.S.
Electrical specification	
Microswitch ratings	From 6 A 30 VDC up to 22 A 250 VAC (see microswitch table)
Electrical connection	¼ NPT female, optional cable glands, ½ NPT with reducer bushing, M20x1,5, others on request
General specification	
Permissible	
Ambient temperature	-25 ... 60 °C
Medium temperature	Buna N and Teflon -18 ... 65 °C, Viton -7 ... 150 °C, stainless steel and Monel -18 ... 150 °C
Storage temperature	-40 ... 60 °C
Effect	Max. 0,4 % / 10 K ref. 20 °C
Protection according EN 60 529/IEC 529	IP54, optional IP66
CE-mark	Low voltage regulations EN 61 010-1, EN 60 947-1
Mounting	Standard stem, wall (BP) or 2" pipe mounting (TM)
Weight mbar/bar in kg	1,2/0,7
Accessories, options	Diaphragm seals, valves, adapters, NACE

General dimensions in mm



Order information

Switch element	Material actuator seal	Range	Engineering unit	Protection	Process connection	Electrical connection	Options
SPDT	(B) Buna N ¹⁾	-15/ 15	INH2O	(IP) Standard IP54	(25) ¼ NPT female	(=) Standard	(NH) Tagging wired
(K) Narrow deadband (15 A 250/480 VAC, 0,4A 120VDC)	(V) Viton ²⁾	-30/ 30	INHG/PSI	(IP65) IP66	(06) ¼ NPT female/ ½ NPT male ¹⁾	(JL) ¼ to ½ NPT female reducing bushing	(FS) Factory adjusted set-point
(W) Ammonia service (5A 250 VAC, 6 A 30 VDC)	(T) Teflon ¹⁾	-30/ 0					
(P) Hermetically sealed (5 A 250 VAC)	(S) 316 (1.4401) ³⁾	-30/ 15 -30/ 30 -30/ 60					
(C) Heavy duty AC (22 A 250 VAC)	(P) Monel ³⁾	10	INH2O		(07) ½ NPT female	(JM) ¼ NPT to M20x1,5 female reducing bushing	(6B) Oxygen cleaned (not for Buna N diaphragm; in. H ₂ O ranges only with option TA)
(H) General purpose (15 A 250 VAC, 6 A 30 VDC)		30					
(F) Sealed environment proof (15 A 250 VAC, 0,4A 120VDC)		60					
(Y) High temp. (max. 150 °C) (15 A 250 VAC)		100					
(M) Low level (gold) contacts (1 A 125 VAC, 500mA 28VDC)		150					
(J) Hermetically sealed general purpose (11 A 250 VAC, 5 A 28 VDC)	PSI	15			(15) G ½ B male ²⁾	(KV2) Plastic cable gland IP65, PG11	(TM) 2" pipe mounting bracket
(L) Hermetically sealed, gold contacts (1 A 125 VAC)		30					
(Z) Variable deadband (15 A 250 VAC)		60					
(M) Low level (gold) contacts (1 A 125 VAC, 500mA 28VDC)		100					
(J) Hermetically sealed general purpose (11 A 250 VAC, 5 A 28 VDC)		200					
(L) Hermetically sealed, gold contacts (1 A 125 VAC)	400	Note the range can also be specified in mbar or bar			(16) M20x1,5 male ²⁾	(KV3) Plastic cable gland IP65, PG13,5	(TA) 316 (1.4401) pressure connection for in. H ₂ O ranges
(Z) Variable deadband (15 A 250 VAC)	600						
(L) Hermetically sealed, gold contacts (1 A 125 VAC)	1000						
(Z) Variable deadband (15 A 250 VAC)	2000						
(L) Hermetically sealed, gold contacts (1 A 125 VAC)	3000						
2xSPDT	¹⁾ max. medium temperature -18 ... 65 °C					(KV4) Plastic cable gland IP65, PG16	(BP) Wall mounting bracket for in. H ₂ O ranges
(KK) see code (K)	²⁾ max. medium temperature -7 ... 150 °C					(KV52) Plastic cable gland PG13,5	(MD) Metric ranges
(FF) see code (F)	³⁾ max. medium temperature -18 ... 150 °C only ranges from 15 to 1000 psi						
(YY) see code (Y)					¹⁾ standard for ranges ≥ 70 bar		
(HH) see code (H)					²⁾ with Adapter		
(WW) see code (W)							
(MM) see code (M)							

How to order

Type	Switch element	Material actuator seal	Range	Engineering unit	Protection	Process connection	Electrical connection	Option
MP	H	B	100	PSI	IP	25	JL	NH

Ashcroft India Pvt. Ltd.

Plot No.: 2306, G.I.D.C. Chhatral, Ta: Kalol, Dist.: Gandhinagar,
 CHHATRAL 382 729, Gujarat, INDIA.
 Telephone: +91 (0) 2764 233681/82/83 Fax: +91-2764-233440
 Email: sales@ashcroftindia.com www.ashcroftindia.com

- North Zone : sales.delhi@ashcroftindia.com
- East zone : sales.kolkata@ashcroftindia.com
- West zone : sales.mumbai@ashcroftindia.com
- South zone : sales.chennai@ashcroftindia.com