

Stainless steel master gauge open front or solid front

Model MGS

Nominal size 150 mm or 250 mm
Accuracy: Class 0.25 (DIN)

Features

- Rugged stainless steel construction
- Protection IP65
- Usable to full scale
- Easy access for calibration
- Ambient temperature compensation

Ranges

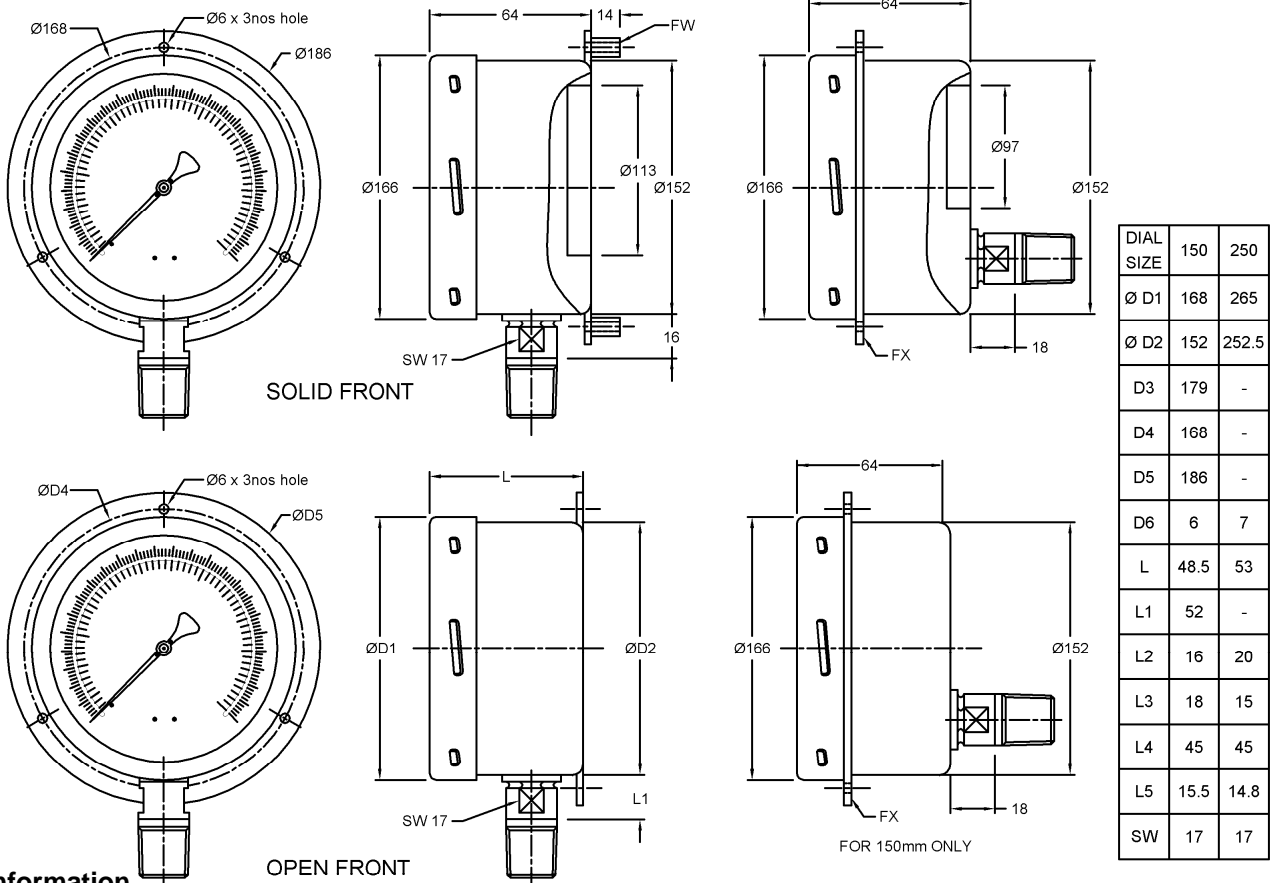
-1 ... 0 kg/cm² up to 0 ... 700 kg/cm²
-30 in. Hg ... 0 psi up to 0 ... 10,000 psi

Applications

Test benches
Calibration laboratories
Maintenance and repair shop

Technical specification	MGS	
	150	250
Dial size in mm	150	250
Construction	Open front cylindrical case with snap action bayonet ring, optional Solid front for 150mm	
Measuring principle	Bourdon tube	
Range in kg/cm ²	0.6 1 1.6 2.5 4 6 10 16 25 40 60 100 160 250 400 600 700	
Overpressure limit	-1/0 -1/0.6 -1/1.5 -1/3 -1/5 -1/9 -1/15 -1/24	
Pressure type	130 % F.S., short time. Gauge, vacuum and compound	
Process connection	1/4" 3/8" 1/2" BSP / NPT (M) , M20x1.5 (M) Others on request	
Connection location	Lower, back	
Material		
Pressure connection	Stainless steel 316	
Tube	Stainless steel 316L , Beryllium copper, Monel	
Case/bayonet ring	Stainless steel 304 optional 316	
Window	Instrument glass, optional laminated safety glass, acrylic glass	
Dial	Aluminum, black markings on white background, with polished mirror band	
Pointer	Aluminum, black knife edge micrometer adjustment	
Movement	High precision jewel bearing with temperature compensation	
Accuracy	Class 0.25 (0.25% F.S)	
Permissible		
Ambient temperature	-25 ... 60 °C	
Medium temperature	Max. 100 °C	
Storage temperature	-40 ... 60 °C	
Effect	Automatic compensated	
Protection according	IP65	
Mounting	Standard stem, optional panel, bracket, surface or others on request	
Weight dry/filled in kg		
Accessories, options	Valves	

General dimensions in mm



Order information

Size	Type	System material	Execution	Process connection	Connection orientation	Range	Engineering units	Case material	Options						
(150) 150mm	MGS	(S) Socket 316, Tube 316L	(=) IP65	(04) 1/2" NPT (M)	(L) Lower (B) Back	-1/ 0	(kg/cm ²)	(=) Standard (YW) Case material 316 (1.4401)	(NH) Tagging wired (DA) Dial Marking (CS) Dual Scale (OF) Oil free (PD) Acrylic glass (SG) Safety glass (FX) Front panel (FW) Surface plate (UF) U-clamp ²⁾ (SF) Solid front ¹⁾						
(250) 250mm ²⁾		(A) Socket 316, Tube beryllium copper		(03) 3/8" NPT (M)		(02) 1/4" NPT (M)				(15) 1/2" BSP (M)	(14) 3/8" BSP (M)	(13) 1/4" BSP (M)	(16) M20x1.5 (M)	0/ 0.6 0/ 1 0/ 1.6 0/ 2.5 0/ 4 0/ 6 0/ 10 0/ 16 0/ 25 0/ 40 0/ 60 0/ 100 0/ 160 0/ 250 0/ 400 0/ 600 0/ 700	psi and others on request
		(M) Socket 316, Tube Monel													

1) Not for 250mm, not for system material (B) 2) not for solid front (SF) 3) max pressure 600 kg/cm²

How to order

Size	Type	System material	Execution	Process connection	Connection orientation	Range	Engineering unit	Case material	Option
150	MGS	S	=	04	L	0/16	KG/CM ²	=	NH

Ashcroft India Pvt. Ltd.

Plot No.: 2306, G.I.D.C. Chhatral, Ta: Kalol, Dist.: Gandhinagar,
 CHHATRAL 382 729, Gujarat, INDIA.
 Telephone: +91 (0) 2764 233681/82/83 Fax: +91-2764-233440
 Email: sales@ashcroftindia.com www.ashcroftindia.com

- North Zone : sales.delhi@ashcroftindia.com
- East zone : sales.kolkata@ashcroftindia.com
- West zone : sales.mumbai@ashcroftindia.com
- South zone : sales.chennai@ashcroftindia.com