

Stainless steel liquid filled gauges

Model GFS

Nominal size 63mm, 100 mm,
Accuracy: Class 1.6 (1.6%) for 63 mm, Class 1 (1%) for 100 mm

Features

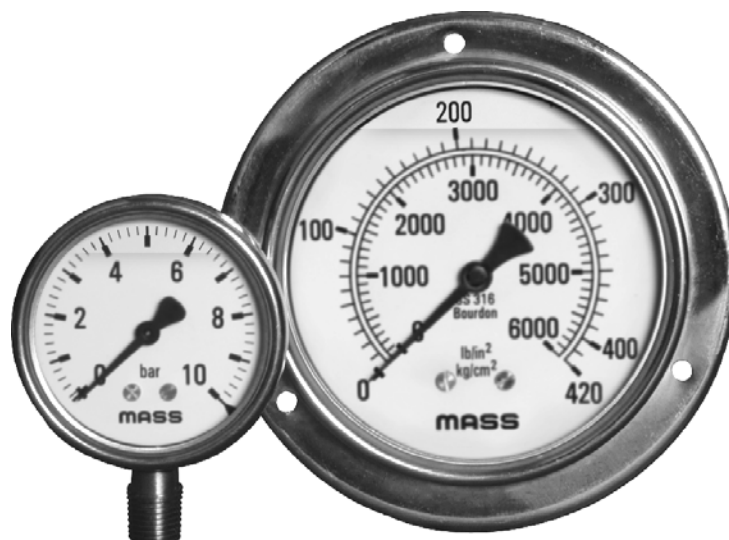
- Rugged stainless steel construction
- Socket and case welded
- Protection IP65
- Usable to full scale
- Overload protection 130 %
- Dry or liquid filled
- Measuring system stainless steel

Ranges

-1 ... 0 kg/cm² up to 0 ... 1400 kg/cm²
-30 in. Hg ... 0 psi up to 0 ... 20,000 psi

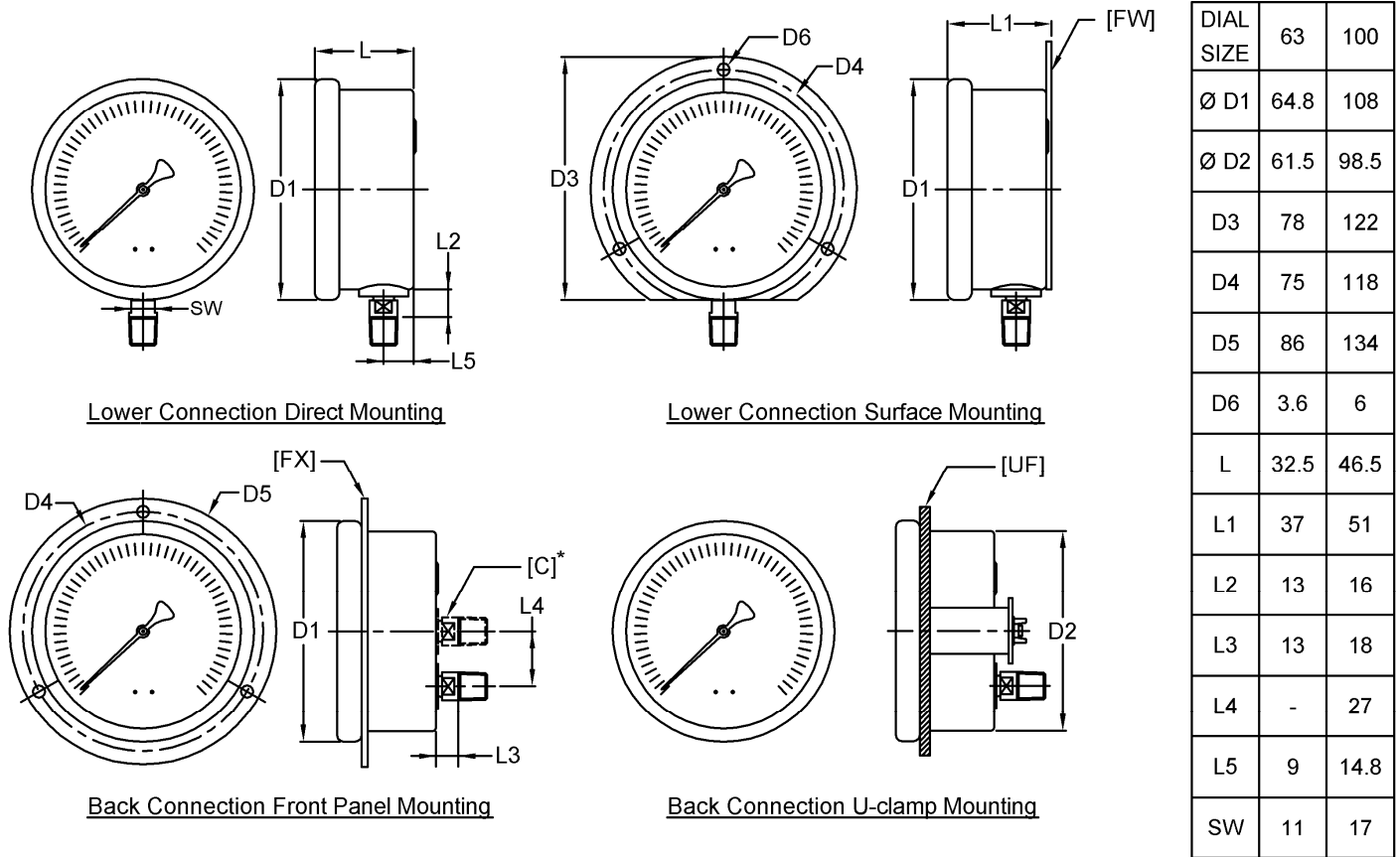
Applications

Power packs
Hydraulic machinery
Pumps
Power plants
Pipelines
Transmission stations



Technical specification	GFS	
	63	100
Dial size in mm	63	100
Construction	Open front cylindrical case with crimp type bayonet ring	
Measuring principle	Bourdon tube	
Range in kg/cm ²	1 1.6 2.5 4 6 10 16 25 40 60 100 160 250 400 600 1000 1400	
Overpressure limit	-1/0 -1/0.6 -1/1.5 -1/3 -1/5 -1/9 -1/15 -1/24	
Pressure type	130 % F.S., short time. Gauge, vacuum and compound	
Process connection	1/8" 1/4" BSP / NPT (M)	1/4" 3/8" 1/2" BSP / NPT (M), M20x1.5(M)
Connection location	Lower, back	
Material	Stainless steel 304, 316, 316L	
Pressure connection	Stainless steel 316L	
Tube	Stainless steel 316L	
Case/bayonet ring	Stainless steel 304, optional 316L	
Window	Acrylic glass, optional laminated safety glass	
Dial	Aluminum, black markings on white background	
Pointer	Aluminum, black	
Movement	Stainless steel 304	
Accuracy	Class 1.6 (1.6% F.S)	Class 1 (1 % F.S.)
Permissible	-25 ... 60 °C	
Ambient temperature	Max. 100 °C	
Medium temperature	-40 ... 60 °C	
Storage temperature	Max. 0,3 % / 10 K	
Effect		
Protection according	IP65	
Filling liquids	Glycerin, silicone, halocarbon, others on request	
Mounting	Standard stem, optional panel, bracket, surface or others on request	
Weight dry/filled in kg		
Accessories, options	Diaphragm seals, valves, dampener, gauge saver, etc	

General dimensions in mm



DIAL SIZE	63	100
Ø D1	64.8	108
Ø D2	61.5	98.5
D3	78	122
D4	75	118
D5	86	134
D6	3.6	6
L	32.5	46.5
L1	37	51
L2	13	16
L3	13	18
L4	-	27
L5	9	14.8
SW	11	17

[C]* for 63mm only

Order information

Size	Type	System material	Execution	Process connection	Connection orientation	Range	Engineering units	Filling/case material	Options
(63) 63 mm (100) 100 mm	GFS	(A) Socket 304, Tube 316 ¹⁾ (S) Socket 316, Tube 316 (L) Socket and Tube 316L	(L) IP 65	(04) 1/2" NPT (M) ¹⁾ (03) 3/8" NPT (M) ¹⁾ (02) 1/4" NPT (M) (01) 1/8" NPT (M) (15) 1/2" BSP(M) ¹⁾ (14) 3/8" BSP(M) ¹⁾ (13) 1/4" BSP(M) (12) 1/8" BSP(M) (16) M20x1.5(M) ¹⁾	(L) Lower (B) Back (C) Center back ²⁾	-1/ 0 -1/ 0.6 -1/ 1.5 -1/ 3 -1/ 5 -1/ 9 -1/ 15 -1/ 24 0/ 1 0/ 1.6 0/ 2.5 0/ 4 0/ 6 0/ 10 0/ 16 0/ 25 0/ 40 0/ 60 0/ 100 0/ 160 0/ 250 0/ 400 0/ 600 0/ 1000 ¹⁾ 0/ 1400 ¹⁾	(kg/cm ²)	(=) No filling (GV) Silicone (GR) Glycerin (GX) Halocarbon (YW) Case material 316L (1.4404)	(NH) Tagging wired (DA) Dial Marking (CS) Dual Scale (OF) Oil free (SG) Safety glass (FX) Front panel (FW) Surface plate (UF) U-clamp

1) Not for 63mm 2) For 63 mm only

How to order

Size	Type	System material	Execution	Process connection	Connection orientation	Range	Engineering unit	Filling/case material	Option
100	GFS	S	L	04	L	0/16	KG/CM2	=	NH

Ashcroft India Pvt. Ltd.

Plot No.: 2306, G.I.D.C. Chhatral, Ta: Kalol, Dist.: Gandhinagar,
CHHATRAL 382 729, Gujarat, INDIA.
Telephone: +91 (0) 2764 233681/82/83 Fax: +91-2764-233440
Email: sales@ashcroftindia.com www.ashcroftindia.com

- North Zone : sales.delhi@ashcroftindia.com
- East zone : sales.kolkata@ashcroftindia.com
- West zone : sales.mumbai@ashcroftindia.com
- South zone : sales.chennai@ashcroftindia.com