

Liquid filled gauges

Model GFB

Nominal size 63mm
Accuracy: Class 1.6 (1.6%)

Features

- Twin o-ring design for leak tight enclosure
- Protection IP65
- Usable to full scale
- Overload protection 130 %
- Measuring tubes SS316 / PB

Ranges

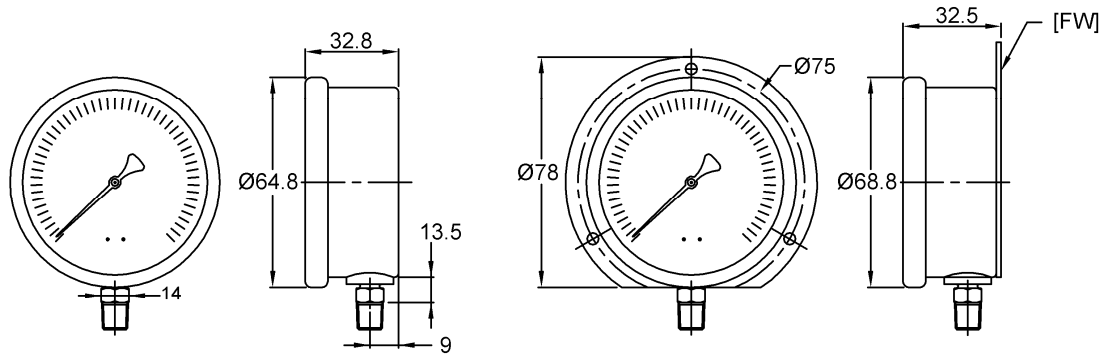
-1 ... 0 kg/cm² up to 0 ... 400 kg/cm²
-30 in. Hg ... 0 psi up to 0 ... 6,000 psi

Applications

Power packs
Hydraulic machinery
Pumps
Other vibration applications

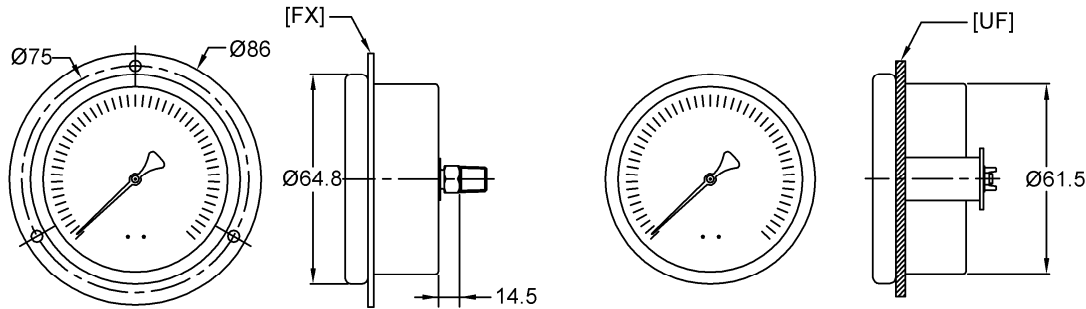
Technical specification	GFB
Dial size in mm	63
Construction	Open front cylindrical case with crimp type bayonet ring
Measuring principle	Bourdon tube
Range in kg/cm ²	1 1.6 2.5 4 6 10 16 25 40 60 100 160 250 400 -1/0 -1/0.6 -1/1.5 -1/3 -1/5 -1/9 -1/15 -1/24
Overpressure limit	130 % F.S., short time.
Pressure type	Gauge, vacuum and compound
Process connection	1/8" 1/4" BSP / NPT (M)
Connection location	Lower, back
Material	
Pressure connection	Brass
Tube	Stainless steel 316 / For below 6 kg/cm ² Tube Phosphorous Bronze
Case/bayonet ring	Stainless steel 304
Window	Acrylic glass, optional laminated safety glass
Dial	Aluminum, black markings on white background
Pointer	Aluminum, black
Movement	Brass
Accuracy	Class 1.6 (1.6% F.S)
Permissible	
Ambient temperature	-25 ... 60 °C
Medium temperature	Max. 100 °C
Storage temperature	-40 ... 60 °C
Effect	Max. 0,3 % / 10 K
Protection according	IP65
Filling liquids	Glycerin, silicone, others on request
Mounting	Standard stem, optional panel, bracket, surface or others on request
Weight dry/filled in kg	

General dimensions in mm



Lower Connection Direct Mounting

Lower Connection Surface Mounting



Back Connection Panel Mounting

Back Connection Bracket Mounting

Order information

Size	Type	System material	Execution	Process connection	Connection orientation	Range	Engineering units	Filling/case material	Options
(63) 63 mm	GFB	(B) Socket Brass, Tube SS316 ¹⁾	(L) IP 65	(02) 1/4" NPT (M) (01) 1/8" NPT (M) (13) 1/4" BSP(M) (12) 1/8" BSP(M) Others on request	(L) Lower (C) Center back	-1/ 0 -1/ 0.6 -1/ 1.5 -1/ 3 -1/ 5 -1/ 9 -1/ 15 -1/ 24 0/ 1 0/ 1.6 0/ 2.5 0/ 4 0/ 6 0/ 10 0/ 16 0/ 25 0/ 40 0/ 60 0/ 100 0/ 160 0/ 250 0/ 400	(kg/cm ²) psi and others on request	(=) No filling (GV) Silicone (GR) Glycerin	(DA) Dial Marking (CS) Dual Scale (FX) Front panel (FW) Surface plate (UF) U-clamp

1) Tube material Phosphorous Bronze for range below 6 kg/cm²

How to order

Size	Type	System material	Execution	Process connection	Connection orientation	Range	Engineering unit	Filling/case material	Option
63	GFB	B	L	02	L	0/16	KG/CM2	=	NH

Ashcroft India Pvt. Ltd.

Plot No.: 2306, G.I.D.C. Chhatral, Ta: Kalol, Dist.: Gandhinagar,
 CHHATRAL 382 729, Gujarat, INDIA.
 Telephone: +91 (0) 2764 233681/82/83 Fax: +91-2764-233440
 Email: sales@ashcroftindia.com www.ashcroftindia.com

- North Zone : sales.delhi@ashcroftindia.com
- East zone : sales.kolkata@ashcroftindia.com
- West zone : sales.mumbai@ashcroftindia.com
- South zone : sales.chennai@ashcroftindia.com