

Compact high pressure seal

Model DS54

Threaded connections to ANSI/ASME or ISO

Features

- All welded metal construction
- No gaskets or bolts
- All material stainless steel

Ranges

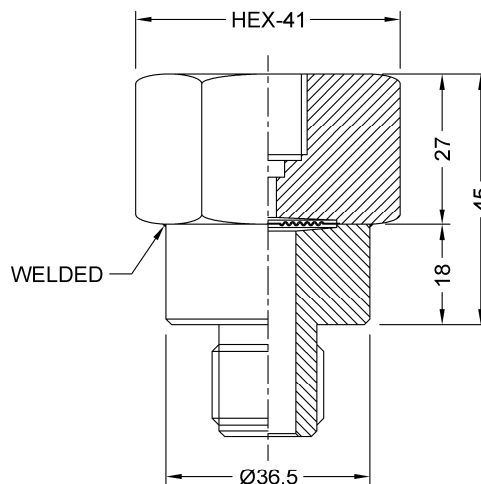
1500 psi up to 6000 psi
100 kg/cm² up to 400 kg/cm²

Applications

Chemical and petrochemical industry
Machine and apparatus construction
Power station

Model	DS54
Process connection size	1/4" 3/8" 1/2" 3/4" BSP / NPT (M), M20x1.5(M), others on request
Pressure range in kg/cm ² (min max)	100 400
Material, diaphragm, top & bottom housing	Stainless steel 316, 316L
Accuracy	Additional 0,5 % to the specified tolerance of the mounted instrument
Filling liquids (temperature range)	Glycerin (0/400 °F, -18/204 °C), silicone (-40/600 °F, -40/315 °C), halocarbon (-70/300 °F, -56/149 °C), Syltherm 800 (-40/750 °F, -40/400 °C), vegetable oil (32/248 °F, 0/120 °C) Others on request, also depending on selected material and configuration.
Mounting	Direct
Weight dry in kg	
Accessories, options	Pressure gauges, transducer

General dimensions in mm



Order information

Process connection	Type	Material (all parts)	Instrument connection	Filling fluid
(05) 3/4" NPT(M) (17) 3/4" BSP(M)	DS54	(S) 316	(13T) 1/4" BSP(F)	(CG) Glycerin (direct mounted, -18/204 °C) (CF) Halocarbon (direct mounted or with capillary, -56/149 °C)
(04) 1/2" NPT(M) (15) 1/2" BSP(M)		(L) 316L	(14T) 3/8" BSP(F)	(CK) Silicone (direct mounted or with capillary, -40/315 °C) (HA) Syltherm 800 (direct mounted or with capillary, -40/400 °C)
(03) 3/8" NPT(M) (14) 3/8" BSP(M)			(04T) 1/2" NPT(F)	(GZ) Vegetable oil (direct mounted, 0/120 °C)
(02) 1/4" NPT(M) (13) 1/4" BSP(M)				
(16) M20x1.5(M)				

How to order

Process connection	Type	Diaphragm and top housing	Instrument connection	Filling fluid
02	DS54	S	14T	CK

Ashcroft India Pvt. Ltd.

Plot No.: 2306, G.I.D.C. Chhatral, Ta: Kalol, Dist.: Gandhinagar, CHHATRAL 382 729, Gujarat, INDIA.
Telephone: +91 (0) 2764 233681/82/83 Fax: +91-2764-233440
Email: sales@ashcroftindia.com www.ashcroftindia.com
All specifications are subject to change without notice.

• North Zone : sales.delhi@ashcroftindia.com
• East zone : sales.kolkata@ashcroftindia.com
• West zone : sales.mumbai@ashcroftindia.com
• South zone : sales.chennai@ashcroftindia.com
IN.DS54 Rev. C 06/03/2010