

Diaphragm seals threaded types

Model DS20, DS50

Threaded connections to ANSI/ASME or ISO

Features

- Metal diaphragms with Teflon gasket
- Interchangeable components
- Removable top and bottom housing
- Variety of wetted parts materials

Ranges

15 psi up to 3,500 psi
1 kg/cm² up to 250 kg/cm²

Applications

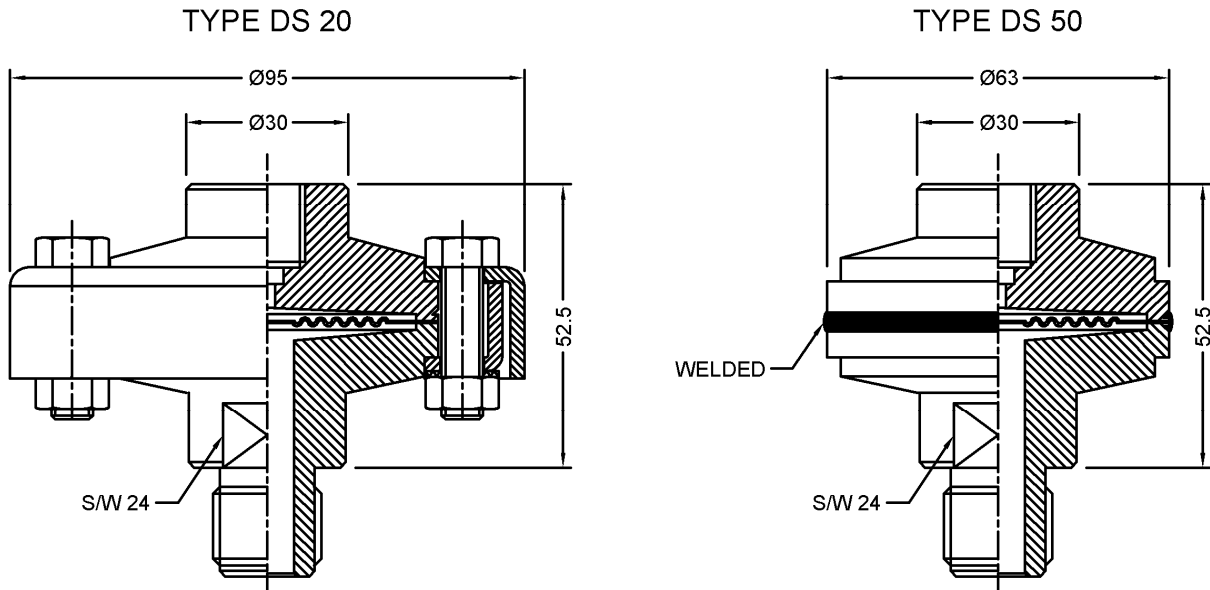
Chemical and petrochemical industry
Machine and apparatus construction
Offshore installations
Pulp and paper industry
Waste water treatment

Technical specification	DS20	DS50
Process connection size	1/4" 3/8" 1/2" BSP / NPT (M), M20x1.5(M)	
Construction	Bolted top and bottom housing, removable for easy maintenance At the side with stainless steel ball and set screw Optional flushing 1/4" 1/2" NPT female	Diaphragm, top and bottom housing welded
Fill port		
Flushing connection		
Flushing connection size		
Maximum pressure		
Standard [kg/cm ²]	70	250
With high pressure ring [kg/cm ²]	100	-
Measuring principle	Diaphragm welded to top housing	Diaphragm welded to top and bottom housing
Instrument connections [female]	3/8" BSP, 1/2" NPT, others on request	
Material (wetted parts)		
Bottom housing	Stainless steel 316, 316L, Polypropylene, PVC, SS 316 with teflon protection	Stainless steel 316
Diaphragm (metal type)	Stainless steel 316L	Stainless steel 316L
Diaphragm (other types)	Stainless steel 316L with teflon protection	
Material (non wetted parts)		
Top housing	Stainless steel 304, optional 316	Stainless steel 316
Clamps, rings	Steel painted black, optional stainless	-
Bolts and nuts	Stainless steel 300 series	-
Accuracy	Additional 0,5 % to the specified tolerance of the mounted instrument	
Filling liquids (temperature range)	Glycerin (0/400 °F, -18/204 °C), silicone (-40/600 °F, -40/315 °C), halocarbon (-70/300 °F, -56/149 °C), Syltherm 800 (-40/750 °F, -40/400 °C), vegetable oil (32/248 °F, 0/120 °C) Others on request, also depending on selected material and configuration.	
Mounting	Direct or with capillary	
Weight dry in kg		
Accessories, options	NACE, pressure gauges, pressure switches, transducer, capillaries	

All specifications are subject to change without notice.

IN.DS20 Rev. C 19/06/2010

General dimensions in mm



Order information

Process connection	Type	Diaphragm	Bottom housing material	Instrument connection	Filling fluid	Options
(06) 1" NPT(M)	DS20	(S) 316L	(S) 316	(14T) 3/8 BSP (F)	(CG) Glycerin (direct mounted, -18/204 °C)	(NH) Tagging wired
(05) 3/4" NPT(M)	DS50	(SP) 316L with teflon protection ¹⁾	(L) 316L	(04T) 1/2" NPT (F)	(CK) Silicone (direct mounted or with capillary, -40/315 °C)	(OF) Oil free (only filled with halocarbon)
(04) 1/2" NPT(M)			(SP) 316 with teflon lined ¹⁾³⁾		(CF) Halocarbon (direct mounted or with capillary, -56/149 °C)	(YT) Stainless steel 316 top housing
(03) 3/8" NPT(M)			(PP) Polypropylene ¹⁾²⁾		(HA) Syltherm 800 (direct mounted or with capillary, -40/400 °C)	(SE) Stainless steel clamp rings
(02) 1/4" NPT(M)			(V) PVC ¹⁾²⁾		(GZ) Vegetable oil (direct mounted or with capillary, 0/120 °C)	(PU) Flushing connection 1/4" NPT (F)
(18) 1" BSP(M)						(CA) Stainless steel armored capillary ⁴⁾
(17) 3/4" BSP(M)						(CP) Stainless steel armored capillary with PVC sleeving ⁴⁾
(15) 1/2" BSP(M)						
(14) 3/8" BSP(M)						
(13) 1/4" BSP(M)						
(16) M20x1.5(M)						
(06T) 1 NPT(F)						
(05T) 3/4 NPT(F)						
(04T) 1/2" NPT(F)						
(02T) 1/4" NPT(F)						
					others on request	4) Max length 30m, specify length in mm EG. CP1000 = CP with 1m

1) Not for DS50 and restricted to temperature 65 °C

2) Max. Rating / temperature limit: 200 psi/14 bar at 74 °F/23 °C; 125 psi/8.6 bar at 125 °F/52 °C; 80 psi/5.5 bar at 150 °F/65 °C

3) Not for process connection (02), (13), (06T), (05T), (04T), (02T)

How to order

Process connection	Type	Diaphragm	Bottom housing material	Instrument connection	Filling fluid	Option
04	DS20	S	S	14T	CK	CA1000

Ashcroft India Pvt. Ltd.

Plot No.: 2306, G.I.D.C. Chhatral, Ta: Kalol, Dist.: Gandhinagar,
 CHHATRAL 382 729, Gujarat, INDIA.
 Telephone: +91 (0) 2764 233681/82/83 Fax: +91-2764-233440
 Email: sales@ashcroftindia.com www.ashcroftindia.com

- North Zone : sales.delhi@ashcroftindia.com
- East zone : sales.kolkata@ashcroftindia.com
- West zone : sales.mumbai@ashcroftindia.com
- South zone : sales.chennai@ashcroftindia.com