

Pressure switch series FP

Compact adjustable, for hazardous locations

Ex-proof according UL or CSA

Accuracy: $\pm 1\%$

Features

- Hermetically sealed snap action switch element
- Class 1, Div. 1, Gr. A, B, C and D according UL
- Protection IP66
- Wetted parts available in several materials
- High proof pressure

Ranges

-1/0 bar up to 280 bar

-30 in. Hg up to 4000 psi

Applications

Chemical and petrochemical industry

Machine and apparatus construction

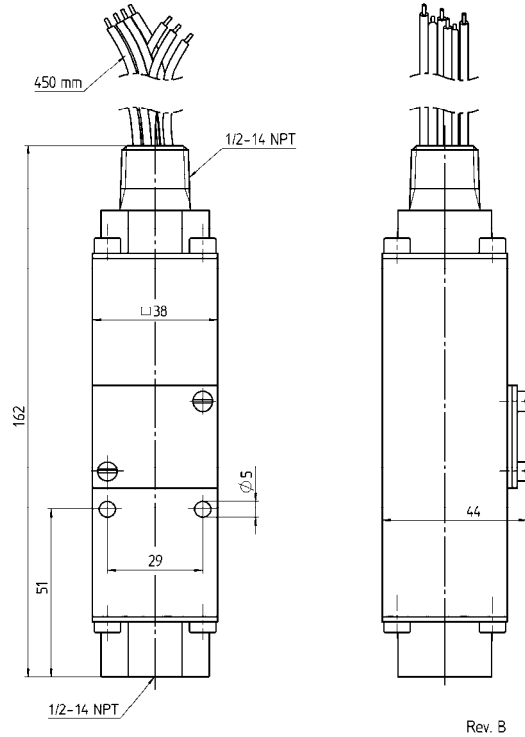
Food and beverage industry

Offshore and pipelines



Technical specification	F Series
Construction	Weatherproof, Ex-proof according UL, CSA on request
Switch functions	One setpoint, single pole double throw (SPDT), or double pole double throw (DPDT)
Adjustable range	From 15 % to 100 %, below 15 % consult factory
Deadband	From 1,0 % to 15 % F.S., depending on material, range and microswitch
Measuring principle	Diaphragm-sealed piston-cylinder-system
Range in bar	2 4 7 14 28 42 70 140 ¹⁾ 210 ¹⁾ 280 ¹⁾ -1/0
Limits (pressure ranges)	vacuum to 14 bar 28 bar 42 bar 70 bar 70 to 210 bar ¹⁾ 280 bar ¹⁾
Proof pressure in bar	70 110 165 275 827 1100
	¹⁾ with Viton O-ring sealed piston actuator
Pressure type	Gauge and vacuum
Process connection	½ NPT female, ¼ NPT female, other available with adapter
Connection location	Lower
Material	
Pressure connection	Stainless steel 316 (1.4401)
Diaphragm	Buna N, Viton, Teflon, stainless steel 316 (1.4401) with O-ring, stainless steel 316 (1.4401) welded, stainless steel piston actuator with Viton O-ring
Housing	Aluminum, anodized
Accuracy	1,0 % F.S.
Electrical specification	
Microswitch ratings	From 1 A 125 VAC up to 11 A 250 VAC (see microswitch table)
Ex-proof	Class 1, Div. 1, Gr. A, B, C and D, Class 2, Div. 1, Gr. E, F and G
Electrical connection	½ NPT male conduit with wire leads # 18AWG insulated-18"
General specification	
Permissible	
Ambient temperature	-29 ... 65 °C
Medium temperature	Buna N, Teflon and stainless steel with O-ring -18 ... 65 °C, Viton -7 ... 93 °C, Stainless steel welded -18 ... 93 °C
Storage temperature	-40 ... 65 °C
Effect	Max. 0,7 % / 10 K ref. 20 °C
Protection according UL	NEMA 7 and 9
Protection according EN 60 529/IEC 529	IP66
CE-mark	Low voltage regulations EN 61 010-1, EN 60 947-1
Mounting	Standard stem, wall
Weight in kg	0,6
Accessories, options	Diaphragm seals, valves, adapters

General dimensions in mm



Order information

Type	Body	Switch element	Actuator seal	Process connection	Range	Engineering unit	Electrical connection	Options
(FPS) Single setpoint field adjustable	(N7) Standard anodized aluminum IP66 UL approval NEMA 7 & 9	SPDT	(B) Buna N ¹⁾ (V) Viton ²⁾ (T) Teflon ¹⁾ (S) 316 (1.4401) welded ³⁾ (R) Diaphragm 316 (1.4401) with Viton O-ring ¹⁾ (H) Stainless steel actuator with Viton O-ring ²⁾ (only ≥ 1000 psi)	(25) ¼ NPT female (07) ½ NPT female (15) G ½ A male ¹⁾	-30/0 ²⁾ 30 60 100 200 400 600 1000 2000 ¹⁾ 3000 ¹⁾ 4000 ¹⁾	INHG PSI	(=) Standard ½ NPT male conduit with wire leads # 18 AWG insulated-18" (K3) Terminal blocks	(NH) Tagging wired (FS) Factory adjusted setpoint (6B) Oxygen cleaned (not for actuator or seal B and H) (FP) Fungus proofing (MD) Metric ranges
		DPDT						
			¹⁾ max. medium temperature -18 ... 65 °C ²⁾ max. medium temperature -7 ... 93 °C ³⁾ max. medium temperature -18 ... 93 °C	¹⁾ with adapter	the range can also be specified in bar			

Order example

Type	Body	Switch element	Actuator seal	Process connection	Range	Engineering unit	Electrical connection	Option
FPS	N7	LL	S	07	100	PSI	=	NH

Ashcroft Instruments GmbH

Germany
Max-Planck-Str. 1, D-52499 Baesweiler
P.O. Box 11 20, D-52490 Baesweiler
Tel.: +49 (0) 2401 808-0, Fax: +49 (0) 2401 808-125

France
„206“ ZA du Mandinet, 1/3 Rue des Campanules
F-77185 Lognes
Tel.: +33 (0) 1 60 37 25 30, Fax: +33 (0) 1 60 37 25 39

Website: www.ashcroft.eu

e-Mail: sales@ashcroft.com

United Kingdom
Unit 5 William James House
Cowley Road, Cambridge CB4 0WX
Tel.: +44 (0) 12 23 39 55 00, Fax: +44 (0) 12 23 39 55 01