

Duragaugage pressure gauge, solid front Model 1279, 1377, 1379 and 2462

According ASME B40.1

Nominal size 4 ½, 6 and 8 ½ inch

Accuracy: Grade 2A (0,5 %)

Features

- Rugged construction
- Protection IP54 or IP65
- Usable to full scale
- Overload protection 130 %
- Dry, liquid filled or liquid less (*PLUS!* gauge)
- Measuring system brass, stainless steel or Monel

Ranges

-1 ... 0 bar up to 0 ... 7000 bar

-30 in. Hg ... 0 psi up to 0 ... 100.000 psi

Applications

Chemical and petrochemical industry

Machine and apparatus construction

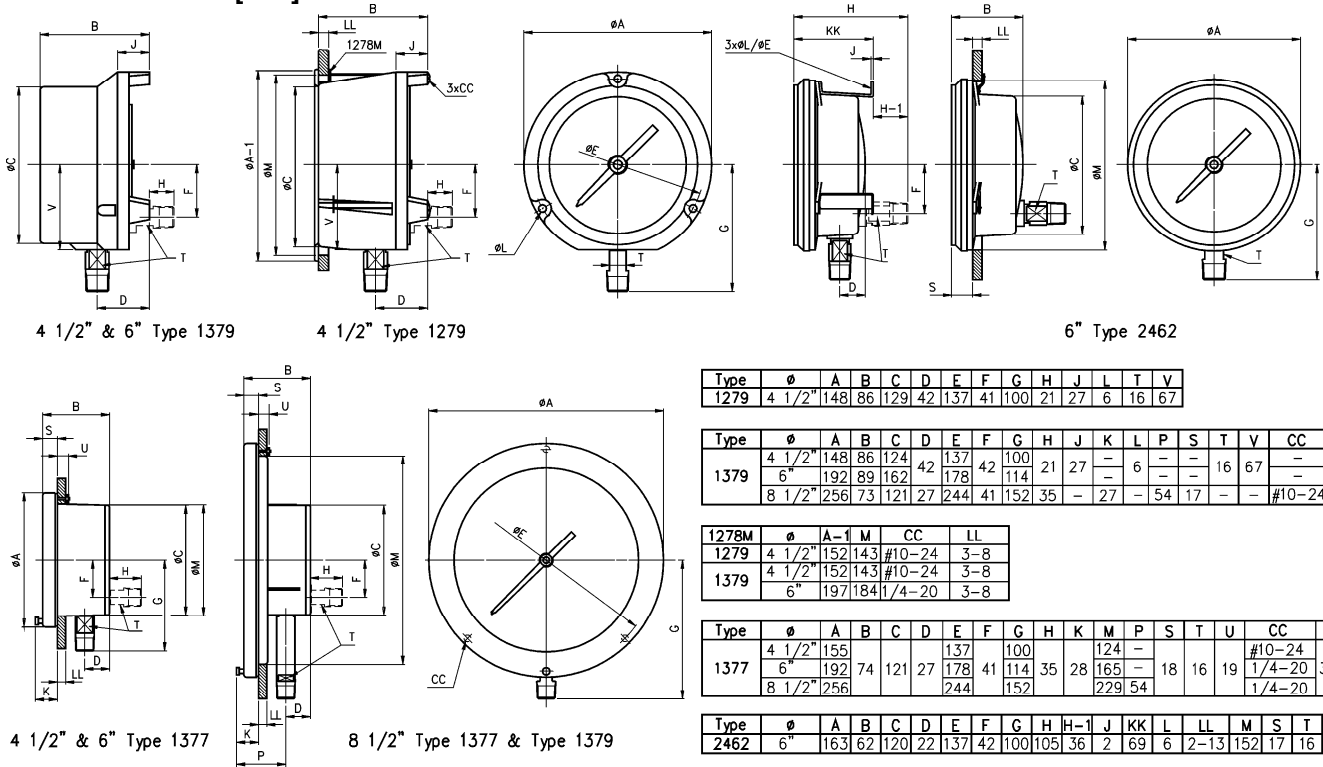
Food and beverage industry

Pulp and paper industry



Technical specification	1279	1379				1377			2462
Dial size [inch]	4 ½	4 ½	6	8 ½	4 ½	6	8 ½	6	
Construction housing ring	Solid front safety pattern with blow out at the back Threaded				Hinged			Bayonet	
Measuring principle Range [bar]	Bourdon tube 0,6 1 1,6 2,5 4 6 10 16 25 40 60 100 160 250 400 600 1000 1600 -1/0 -1/0,6 -1/1,5 -1/3 -1/5 -1/9 Receiver 0,2/1								
High pressure [bar] (6 inch only)	2500		4000	6000	7000				
Overpressure limit	130 % F.S., short time								
Pressure type	Gauge, vacuum and compound								
Process connection	G ¼ B male, G ½ B male, M20x1,5 male ¼ NPT male, ½ NPT male according ANSI/ASME B1.20.1 9/16-18 UNF-2B Aminco, others on request								
Connection location	Lower, back								
Material	Brass, stainless steel 316L (1.4404) or Monel Tube Bronze, stainless steel 316L (1.4404) or Monel Case Phenolic Aluminum, black epoxy coated Polypropylene Ring Polypropylene Steel enamel coated Polypropylene Window Instrument glass, optional laminated safety glass or acrylic glass (standard for high pressure) Dial Aluminum, black markings on white background Pointer Aluminum, black, micrometer adjustment, optional red set hand or maximum pointer Movement Stainless steel 400 series, stainless steel Teflon coated pinion gear and segment								
Accuracy	Grade 2A (0,5 % F.S.)								
Permissible	Ambient temperature -25 ... 60 °C, liquid filled -45 ... 120 °C Medium temperature max. 120 °C Storage temperature -40 ... 65 °C Effect max. 0,3 % / 10 K								
Protection according EN 60 529/IEC 529	IP54 (dry), IP65 (liquid filled), optional IP65 for dry gauges								
Filling liquids	Glycerin, silicone, halocarbon, others on request				Filling not available Optional dampened movement (<i>PLUS!</i> gauge), liquid less gauge, functions as liquid filled gauge				
Mounting	Stem, surface, optional flush				Stem, flush			Stem, flush, optional surface	
Weight dry/filled [kg]	1,1/1,5	1,1/1,5	1,4/2	2/2,6	1,1/-	1,4/-	2/-	1,1/-	
Accessories, options	Diaphragm seals, valves, gauges with contacts, gauges with electric output, NACE								

General dimensions [mm]



Rev. G

Order information

Size	Type	System material	Execution	Process connection	Connection orientation	Range	Engineering units	Filling liquid	Options
(45) 4 1/2 inch (115 mm) ¹⁾	1279	(A) Brass socket, bronze tube ¹⁾	(S) Solid front IP54	(04) 1/2 NPT male ¹⁾	(L) Lower	-1/ 0	(BAR)	(=) Standard no filling	(NH) Tagging wired
	1377	(S) 316L (1.4404) ²⁾	(SH) Hermetically sealed IP65, field fillable ¹⁾	(02) 1/4 NPT male ¹⁾	(B) Back ¹⁾	-1/ 1,5 -1/ 3 -1/ 5 -1/ 9		(GV) Silicone	(TX) Throttle screw stainless steel (not for process connection 09)
(60) 6 inch (150 mm) ²⁾	1379	(P) Monel 400 socket, K-Monel 500 tube ²⁾⁴⁾	(SL) Liquid filled IP65 ¹⁾	(09) 9/16-18 UNF-2B Aminco (standard for high pressure > 1000 bar)		0/ 0,6 0/ 1 0/ 1,6 0/ 2,5 0/ 4 0/ 6 0/ 10 0/ 16 0/ 25 0/ 40 0/ 60 0/ 100 0/ 160 0/ 250 0/ 400 0/ 600 0/ 1000 0/ 1600 0/ 2500 0/ 4000 0/ 6000 0/ 7000		(GV3) Silicone 3 cst	(6B) Oxygen service
	2462	(WW) 316 (1.4401) socket, inconel 718 tube ³⁾		(13) G 1/4 B male ¹⁾ (15) G 1/2 B male ¹⁾ (16) M20x1,5 male ¹⁾				(HA) Halo-carbon	(PD) Acrylic glass
(85) 8 1/2 inch (215 mm) ³⁾								(GR) Glycerin	(SG) Safety glass
									(EP) Maximum pointer adjustable
									(SH) Red set hand stationary
									(LL) Liquid less gauge (PLUS! gauge) (not for process connection 09)
									(PR) Receiver gauge
									(1278M) Flush mounting ring for 4 1/2" and 6" type 1279 and 1379

¹⁾ not for type 2462 ¹⁾ max. 60 bar ¹⁾ not for type 1377 and 2462 ¹⁾ max. 1000 bar ¹⁾ not for type 85-1379 psi and others on request

²⁾ not for type 1279 ²⁾ max. 1600 bar

³⁾ not for type 1279 and 2462 ³⁾ only for high pressure gauges type 60-1379

⁴⁾ not for size 85

How to order

Size	Type	System material	Execution	Process connection	Connection orientation	Range	Engineering unit	Filling liquid	Option
45	1279	S	SL	15	L	0/16	BAR	GR	NH

Ashcroft Instruments GmbH

Germany
Max-Planck-Str. 1, D-52499 Baesweiler
P.O. Box 11 20, D-52490 Baesweiler
Tel.: +49 (0) 2401 808-0, Fax: +49 (0) 2401 808-125

France
„206" ZA Le Mandinet Rue des Campanules
F-77185 Lognes
Tel.: +33 (0) 1 60 37 25 30, Fax: +33 (0) 1 60 37 25 39

Website: www.ashcrofteurope.com e-Mail: sales@ashcrofteurope.com

United Kingdom
Unit 5 William James House
Cowley Road, Cambridge CB4 0WX
Tel.: +44 (0) 12 23 39 55 00, Fax: +44 (0) 12 23 39 55 01