

# Stainless steel differential pressure gauge

## Model F5502

**Max. static pressure 25 bar**

Nominal size 100 mm or 160 mm

Accuracy: Class 2,5 (EN), optional class 1,6

### Features

- Stainless steel case and wetted parts
- Static pressure 25 bar, one side load permitted
- Protection IP65
- High corrosive resistance
- Dry or liquid filled
- Optional 1 or 2 microswitch SPDT

### Ranges

0 ... 0,6 bar up to 0 ... 16 bar

### Applications

Chemical and petrochemical industry

Machine and apparatus construction

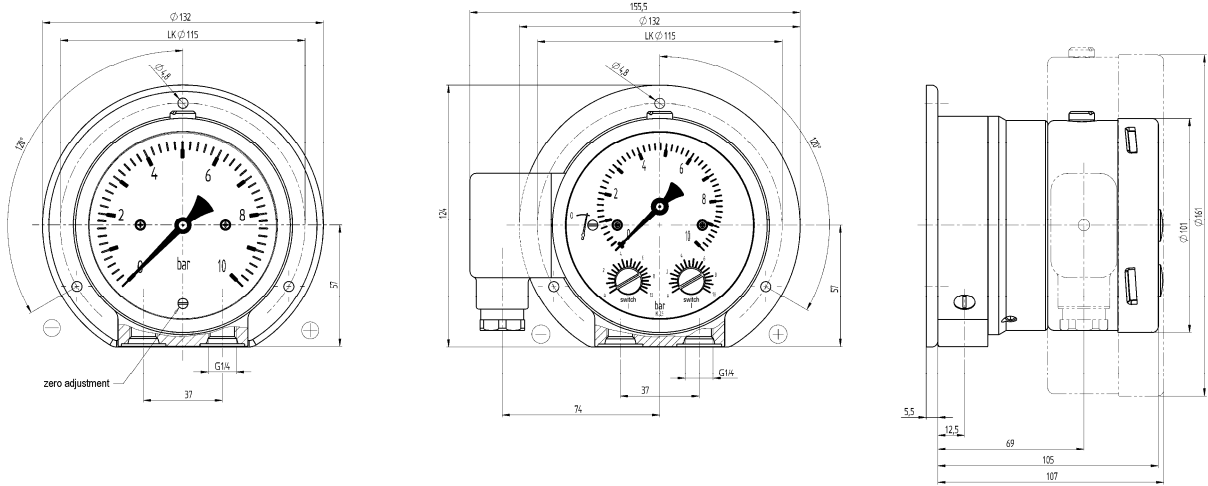
Food and beverage industry

Pulp and paper industry



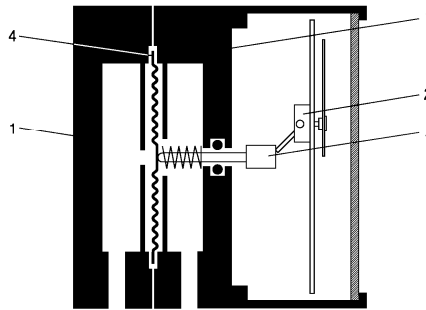
| Technical specification                | F5502   |         |
|--|---|---------|
| Dial size [mm]                         | 100   | 160     |
| Construction                           | Cylindrical case  |         |
| Zero adjustment                        | Internally, accessible if window is removed   |         |
| Measuring principle                    | Diaphragm (see rear side), safety design, solid front not required  |         |
| Range [bar]                            | 0,6 1 1,6 2,5 4 6 10 16   |         |
| max. static pressure [bar]             | 25  |         |
| Overload capability                    | Static pressure is also maximum pressure allowed on one side  |         |
| Pressure type                          | Differential  |         |
| Process connection                     | G ¼ B male, G ¼ female, G ½ B male, G ½ female<br>¼ NPT male, ¼ NPT female, ½ NPT male, ½ NPT female, others on request |         |
| Connection location                    | Lower   |         |
| Material                               |   |         |
| Pressure connection                    | Stainless steel 316L (1.4404)   |         |
| Pressure chamber                       | Stainless steel 316L (1.4404), FPM O-ring   |         |
| Measuring membrane                     | Nickel Beryllium (NiBe)   |         |
| Case/bayonet ring                      | Stainless steel 304 (1.4301), optional 316 (1.4401)   |         |
| Window                                 | Laminated safety glass  |         |
| Dial                                   | Aluminum, black markings on white background  |         |
| Pointer                                | Aluminum, black, optional red set hand or maximum pointer   |         |
| Accuracy                               | Class 2,5 (2,5 % F.S.), optional class 1,6 (1,6 %)  |         |
| Electrical specification               |   |         |
| Microswitch rating                     | 5 A 250 VAC (P max. 250 VA); 3 A 28 VDC   |         |
| Connection                             | Cable prewired, angle connector acc. DIN EN 175301-803  |         |
| Switch Hysteresis                      | Approx. 2,5 %   |         |
| Permissible                            |   |         |
| Ambient temperature                    | -20 ... 80 °C   |         |
| Medium temperature                     | Max. 100 °C   |         |
| Storage temperature                    | -40 ... 60 °C   |         |
| Effect                                 | Max. 0,3 % / 10 K   |         |
| Protection according EN 60 529/IEC 529 | IP65  |         |
| CE-Mark                                | For instruments with electrical contacts low voltage regulations EN 61010-1, EN 60947-1                                 |         |
| Filling liquids                        | Glycerin, silicone, others on request   |         |
| Mounting                               | Wall mounting, optional 2" pipe mounting, others on request   |         |
| Weight dry/filled [kg]                 | 3,6/3,8   | 3,8/4,2 |
| Accessories, options                   | 3 or 5 way remote or direct mounted manifolds, valves, gauges with 1 or 2 microswitch SPDT                              |         |

## General dimensions [mm]



Rev. C

## Measuring principle



- 1 Pressure chamber
- 2 Movement
- 3 Push rod
- 4 Diaphragm

## Order information

| Size            | System material   | Execution              | Process connection   | Connection orientation | Range   | Engineering units  | Filling/contacts  | Options  |
|-----------------|---|------------------------|--|------------------------|---|--|---|--|
| (100)<br>100 mm | (S) Pressure chamber<br>316L (1.4404)<br>diaphragm<br>Nickel-Beryllium (NiBe) | (=) IP65 standard case | (02) ¼ NPT male  | (L) Lower              | 0/0,6<br>0/ 1<br>0/1,6<br>0/2,5<br>0/ 4<br>0/ 6<br>0/ 10<br>0/ 16 | BAR<br><br>psi and others on request<br><br>compound ranges on request | (=) Standard no filling   | (NH) Tagging wired   |
| (160)<br>160 mm |   | (L) Liquid filled      | (04) ½ NPT male<br>(13) G ¼ B male<br>(15) G ½ B male<br>(25) ¼ NPT female<br>(27) G ¼ female<br>(50) ½ NPT female |                        |   |  | (GR) Glycerin (not for microswitch)<br>(GV) Silicone<br>(GX) Halocarbon (not for microswitch)<br>(NV) Napvis<br>(Q3) 1 micro-switch SPDT<br>(Q33) 2 micro-switch SPDT | (6B) Oxygen service<br>(CS) Dual scale<br>(DA) Dial marking<br>(TM) 2" pipe mounting bracket<br>(LJ) Field fillable<br>(YW) Case material 316 (1.4401) |

## How to order

| Size | Type  | System material | Execution | Process connection | Connection orientation | Range | Engineering unit | Filling/contacts | Option |
|------|-------|-----------------|-----------|--------------------|------------------------|-------|------------------|------------------|--------|
| 100  | F5502 | S               | =         | 27                 | L                      | 0/6   | BAR              | =                | NH     |

## Ashcroft Instruments GmbH

Germany  
Max-Planck-Str. 1, D-52499 Baesweiler  
P.O. Box 11 20, D-52490 Baesweiler  
Tel.: +49 (0) 2401 808-0, Fax: +49 (0) 2401 808-125

France  
„206“ ZA Le Mandinet Rue des Campanules  
F-77185 Lognes  
Tel.: +33 (0) 1 60 37 25 30, Fax: +33 (0) 1 60 37 25 39

Website: [www.ashcrofteurope.com](http://www.ashcrofteurope.com) e-Mail: [sales@ashcrofteurope.com](mailto:sales@ashcrofteurope.com)

United Kingdom  
Unit 5 William James House  
Cowley Road, Cambridge CB4 0WX  
Tel.: +44 (0) 12 23 39 55 00, Fax: +44 (0) 12 23 39 55 01